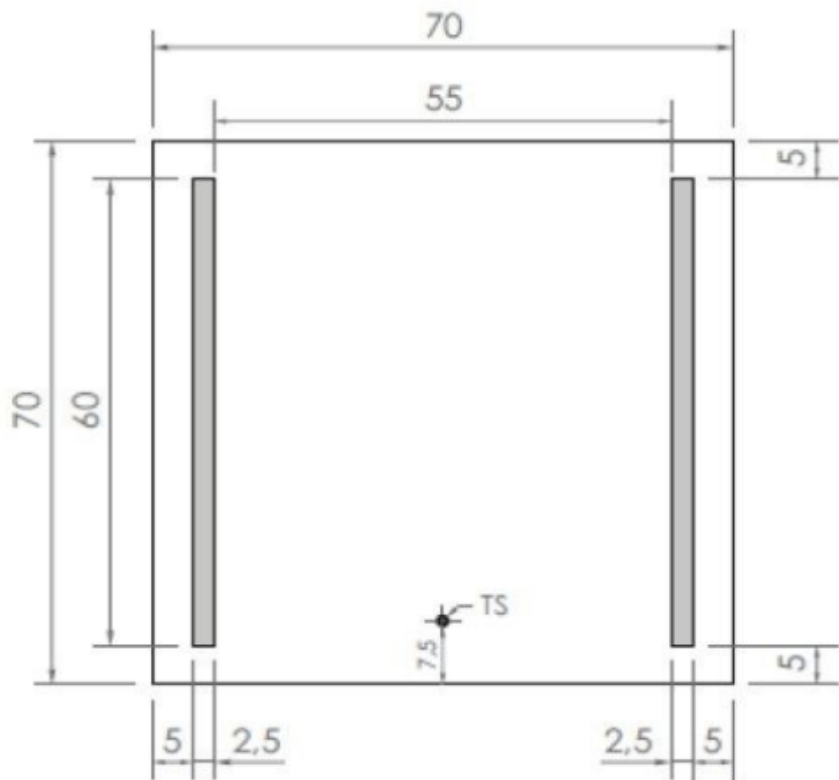


DIMENSIONS ARE IN
CENTIMETERS (cm)
DO NOT SCALE DRAWING

SIGNATURE/REVISION:

NAME	SIGNATURE	DATE	PRODUCT:	MIRROR	TITLE:	
DRAWN			MATERIAL:	GLASS	LED vertical	
CHK'D			THICKNESS:	4mm		
APP'VD			EDGING:	C / F edge	DIMENSIONS:	
MFG			SANDBLASTING:	YES <input type="checkbox"/>	600 x 700 mm	A4
Q.A			SNESOR/SWICHTH:	TOUCH	SCALE: 1 : 10	SHEET 1 OF 1



Touch

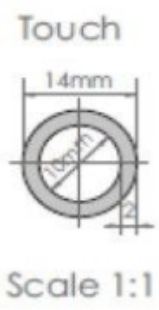
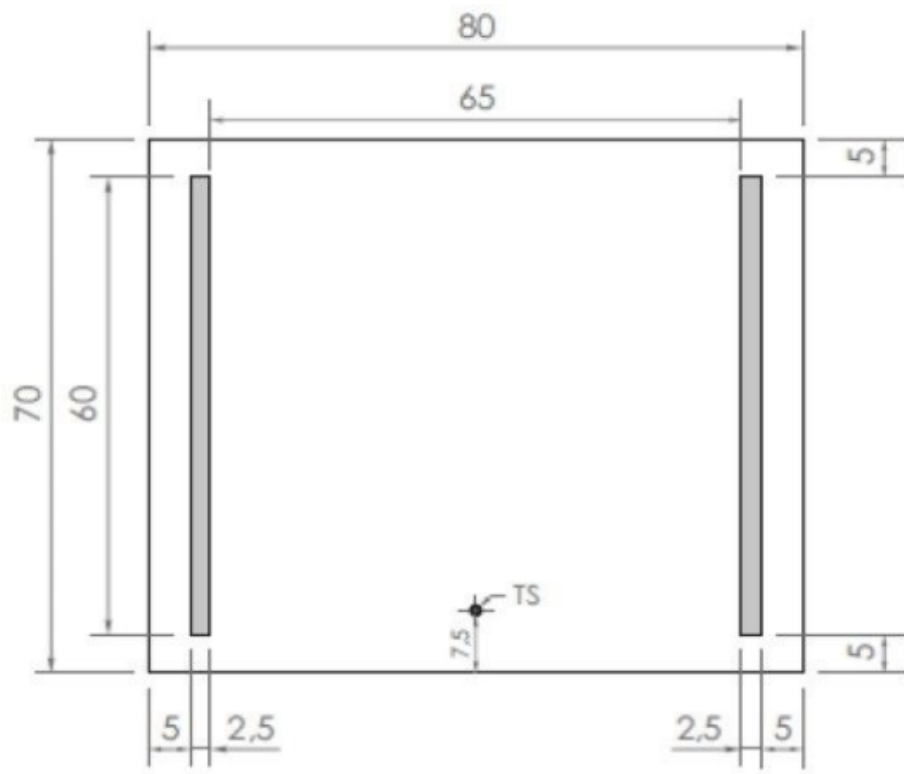


Scale 1:1

DIMENSIONS ARE IN
CENTIMETERS (cm)
DO NOT SCALE DRAWING

SIGNATURE/REVISION:

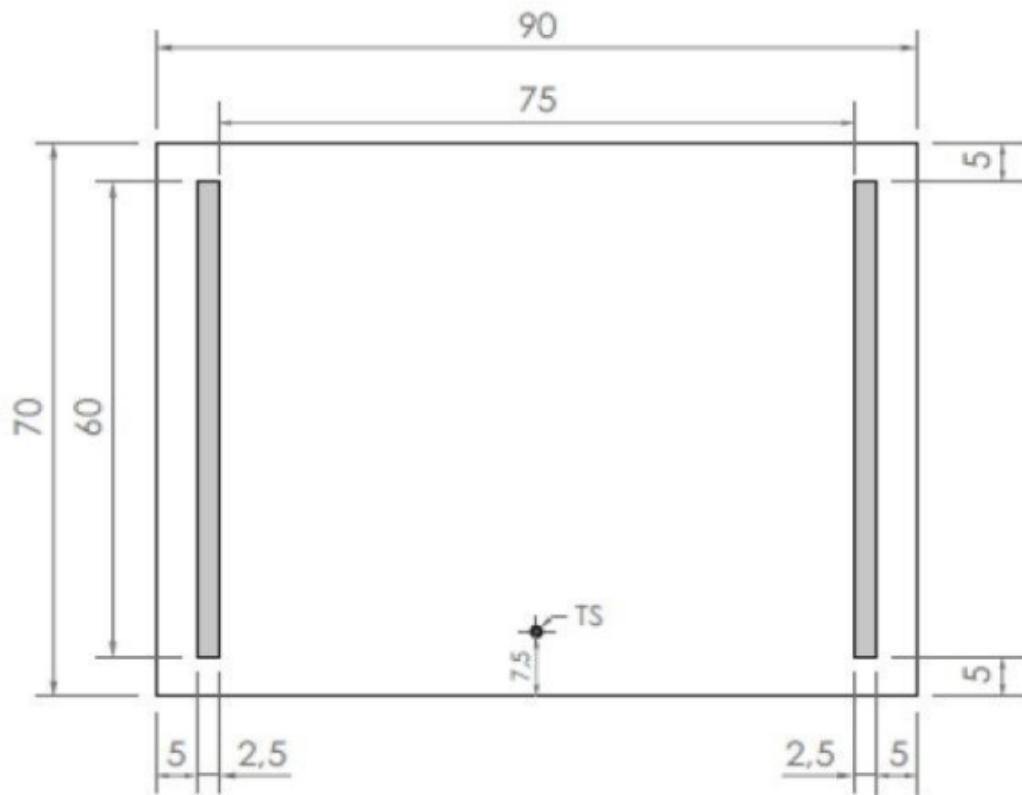
	NAME	SIGNATURE	DATE	PRODUCT:	MIRROR	TITLE:
DRAWN				MATERIAL:	GLASS	LED vertical
CHK'D				THICKNESS:	4mm	
APP'VD				EDGING:	C / F edge	DIMENSIONS:
MFG				SANDBLASTING:	YES <input type="checkbox"/>	700 x 700 mm
Q.A				SNESOR/SWICTH:	TOUCH	A4
				SCALE:	1 : 10	SHEET 1 OF 1



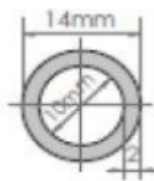
DIMENSIONS ARE IN CENTIMETERS (cm)
DO NOT SCALE DRAWING

SIGNATURE/REVISION:

	NAME	SIGNATURE	DATE	PRODUCT:	MIRROR	TITLE:
DRAWN				MATERIAL:	GLASS	LED vertical
CHK'D				THICKNESS:	4mm	
APP'VD				EDGING:	C / F edge	DIMENSIONS:
MFG				SANDBLASTING:	YES <input type="checkbox"/>	800 x 700 mm
Q.A				SNESOR/SWITCH:	TOUCH	A4
				SCALE:	1 : 10	SHEET 1 OF 1



Touch



Scale 1:1

DIMENSIONS ARE IN
CENTIMETERS (cm)
DO NOT SCALE DRAWING

SIGNATURE/REVISION:

	NAME	SIGNATURE	DATE	PRODUCT:	MIRROR
DRAWN				MATERIAL:	GLASS
CHK'D				THICKNESS:	4mm
APP'VD				EDGING:	C / F edge
MFG				SANDBLASTING:	YES <input type="checkbox"/>
Q.A				SNESOR/SWICHTH:	TOUCH

TITLE:

LED vertical

DIMENSIONS:

900 x 700 mm

A4

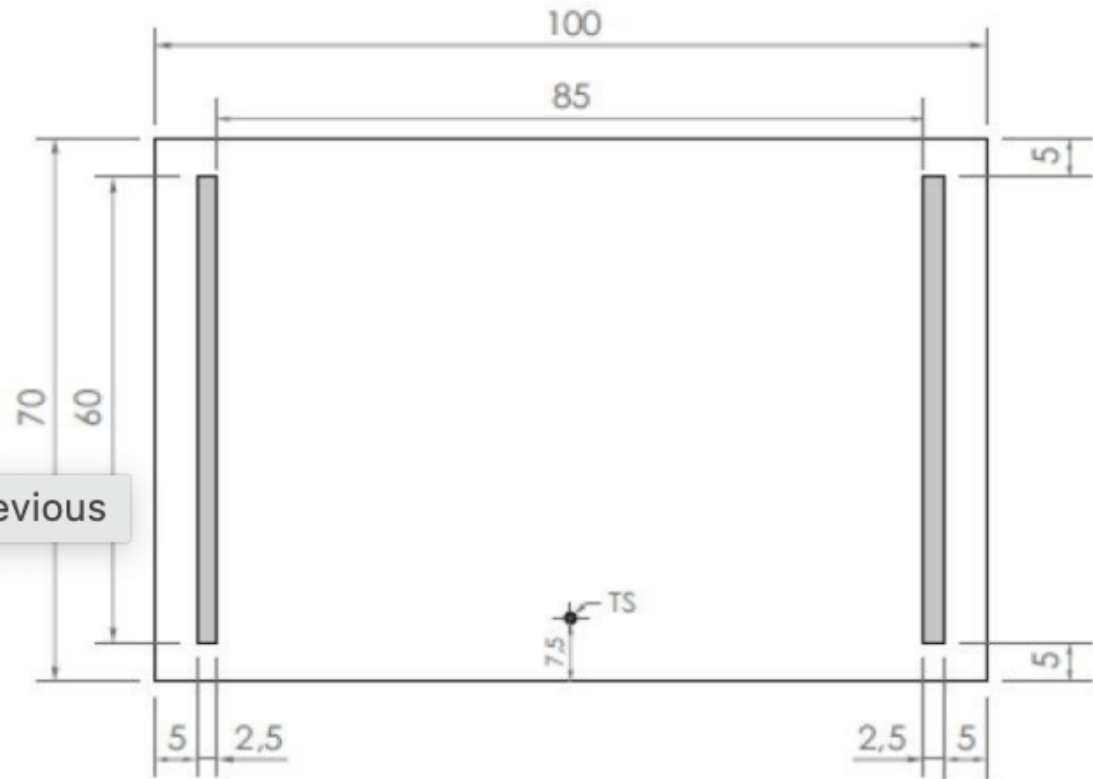
SCALE:

1 : 10

SHEET

1 OF 1

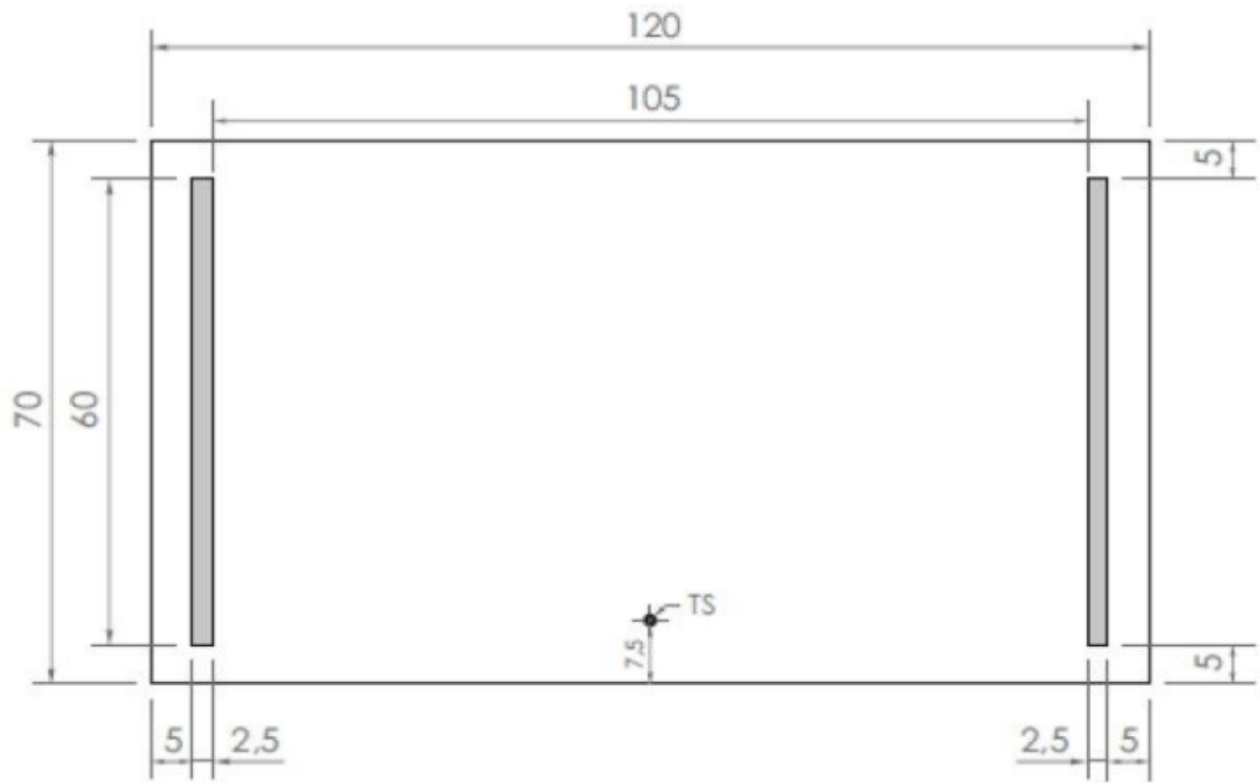
previous



DIMENSIONS ARE IN CENTIMETERS (cm)
DO NOT SCALE DRAWING

SIGNATURE/REVISION:

	NAME	SIGNATURE	DATE	PRODUCT:	MIRROR	TITLE:			
DRAWN				MATERIAL:	GLASS	<h1>LED vertical</h1>			
CHK'D				THICKNESS:	4mm				
APP'VD				EDGING:	C / F edge		DIMENSIONS:	1000 x 700 mm	A4
MFG				SANDBLASTING:	YES <input type="checkbox"/>		SCALE:	1 : 10	SHEET 1 OF 1
Q.A				SNESOR/SWICHTH:	TOUCH				



Touch

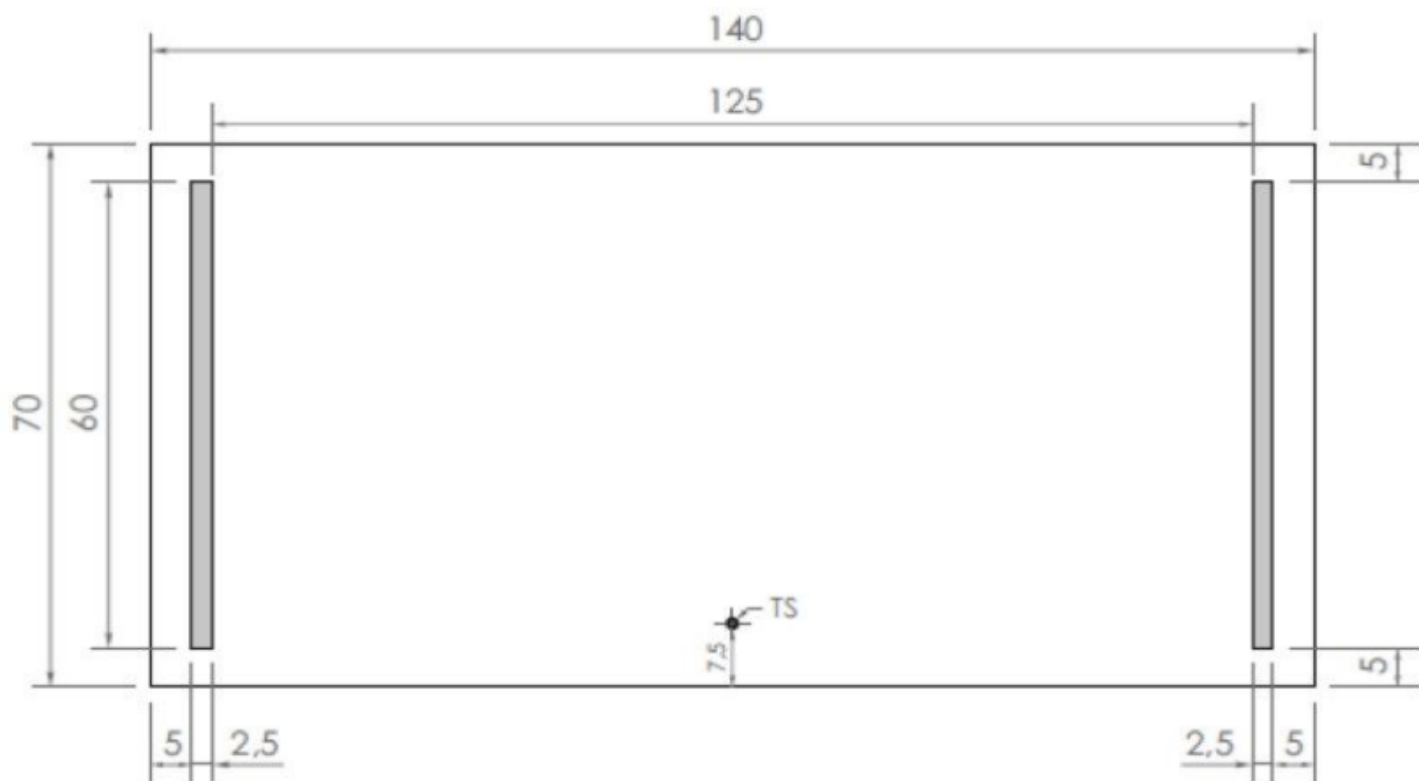


Scale 1:1

DIMENSIONS ARE IN
CENTIMETERS (cm)
DO NOT SCALE DRAWING

SIGNATURE/REVISION:

NAME	SIGNATURE	DATE	PRODUCT:	MIRROR	TITLE:
DRAWN			MATERIAL:	GLASS	LED vertical
CHK'D			THICKNESS:	4mm	
APP'VD			EDGING:	C / F edge	DIMENSIONS:
MFG			SANDBLASTING:	YES <input type="checkbox"/>	1200 x 700 mm
Q.A			SENSOR/SWITCH:	TOUCH	A4
			SCALE:	1 : 10	SHEET 1 OF 1



Touch Sensor (TS)



Scale 1:1

DIMENSIONS ARE IN
CENTIMETERS (cm)
DO NOT SCALE DRAWING

SIGNATURE/REVISION:

NAME	SIGNATURE	DATE	PRODUCT:	MIRROR	TITLE:
DRAWN			MATERIAL:	GLASS	LED vertical
CHK'D			THICKNESS:	4mm	
APP'VD			EDGING:	C / F Edge	DIMENSIONS:
MFG			SANDBLASTING:	YES <input checked="" type="checkbox"/>	1 400 x 700 mm
Q.A			SNESOR/SWICTH:	TOUCH	SCALE: 1 : 10
					SHEET 1 OF 1

4

3

2

1

A4