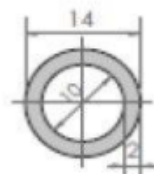


Touch



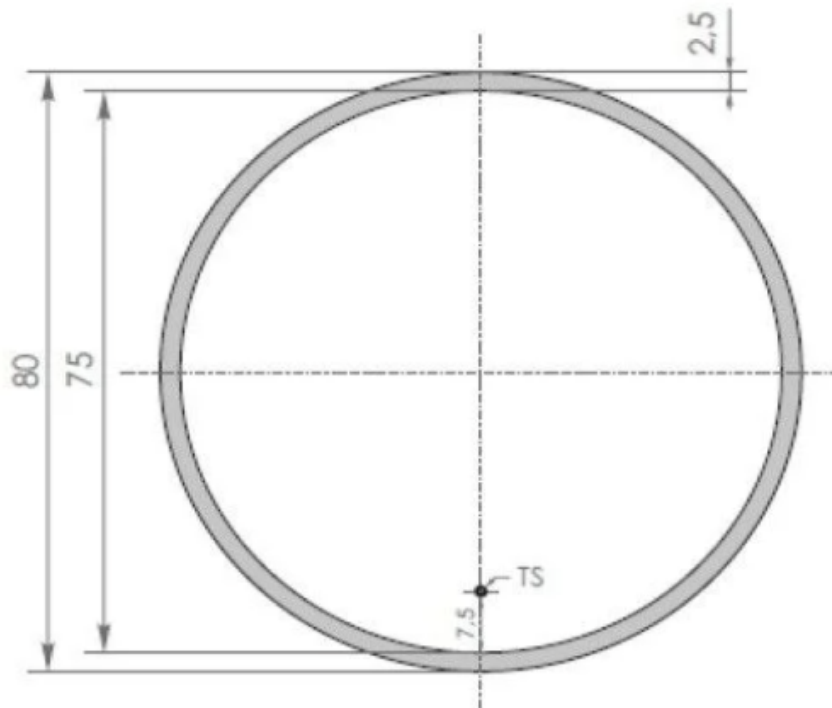
Scale 1:1

DIMENSIONS ARE IN CENTIMETERS (cm)
DO NOT SCALE DRAWING

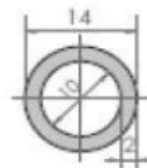
SIGNATURE/REVISION:

NAME	SIGNATURE	DATE	PRODUCT:	MIRROR	TITLE:
DRAWN			MATERIAL:	GLASS	FANTASIA
CHK'D			THICKNESS:	4mm	
APP'VD			EDGING:	C / F edge	DIMENSIONS:
MFG			SANDBLASTING:	YES <input type="checkbox"/>	Ø600 mm
Q.A			SNESOR/SWICHTH:	TOUCH	SCALE: 1 : 10
					SHEET 1 OF 1

A4



Touch



Scale 1:1

DIMENSIONS ARE IN CENTIMETERS (cm)
DO NOT SCALE DRAWING

SIGNATURE/REVISION:

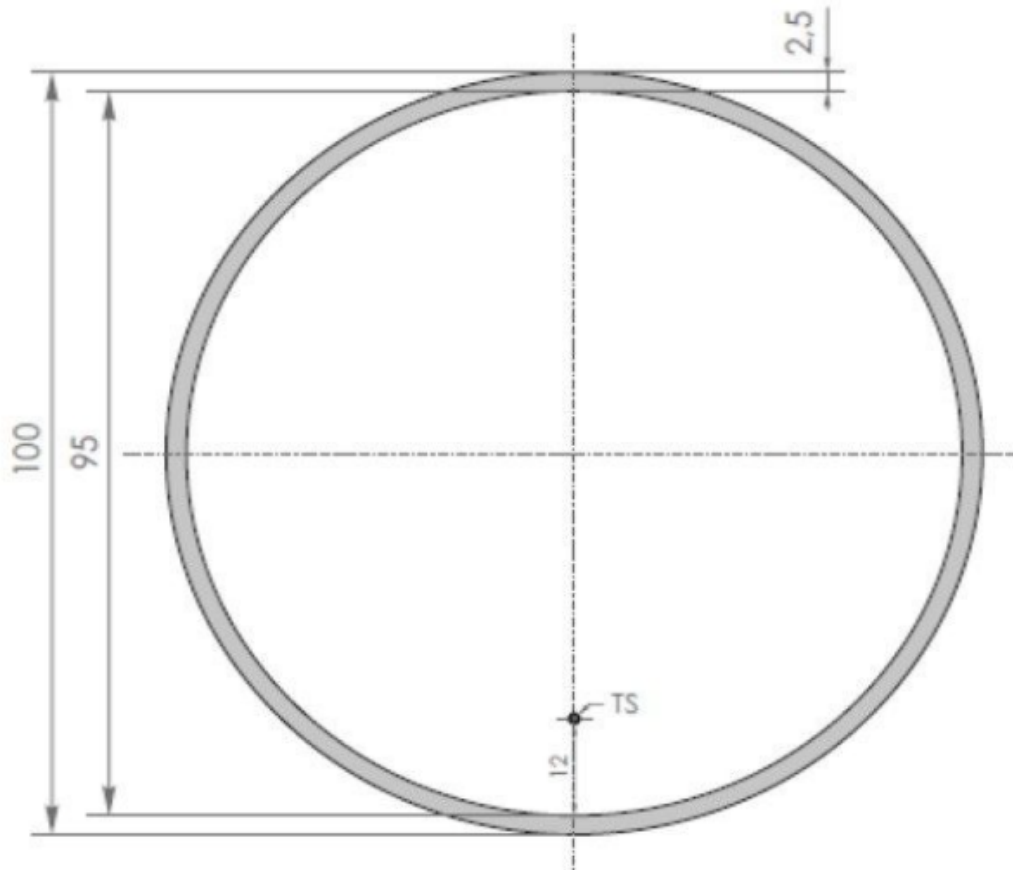
	NAME	SIGNATURE	DATE	PRODUCT:	MIRROR	TITLE:		
DRAWN				MATERIAL:	GLASS	FANTASIA		
CHK'D				THICKNESS:	4mm			
APP'VD				EDGING:	C / F edge	DIMENSIONS:	Ø800 mm	A4
MFG				SANDBLASTING:	YES <input type="checkbox"/>	SCALE:	1 : 10	SHEET 1 OF 1
Q.A				SNESOR/SWICHT:	TOUCH			

4

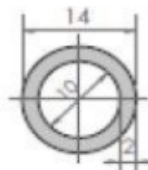
3

2

1



Touch

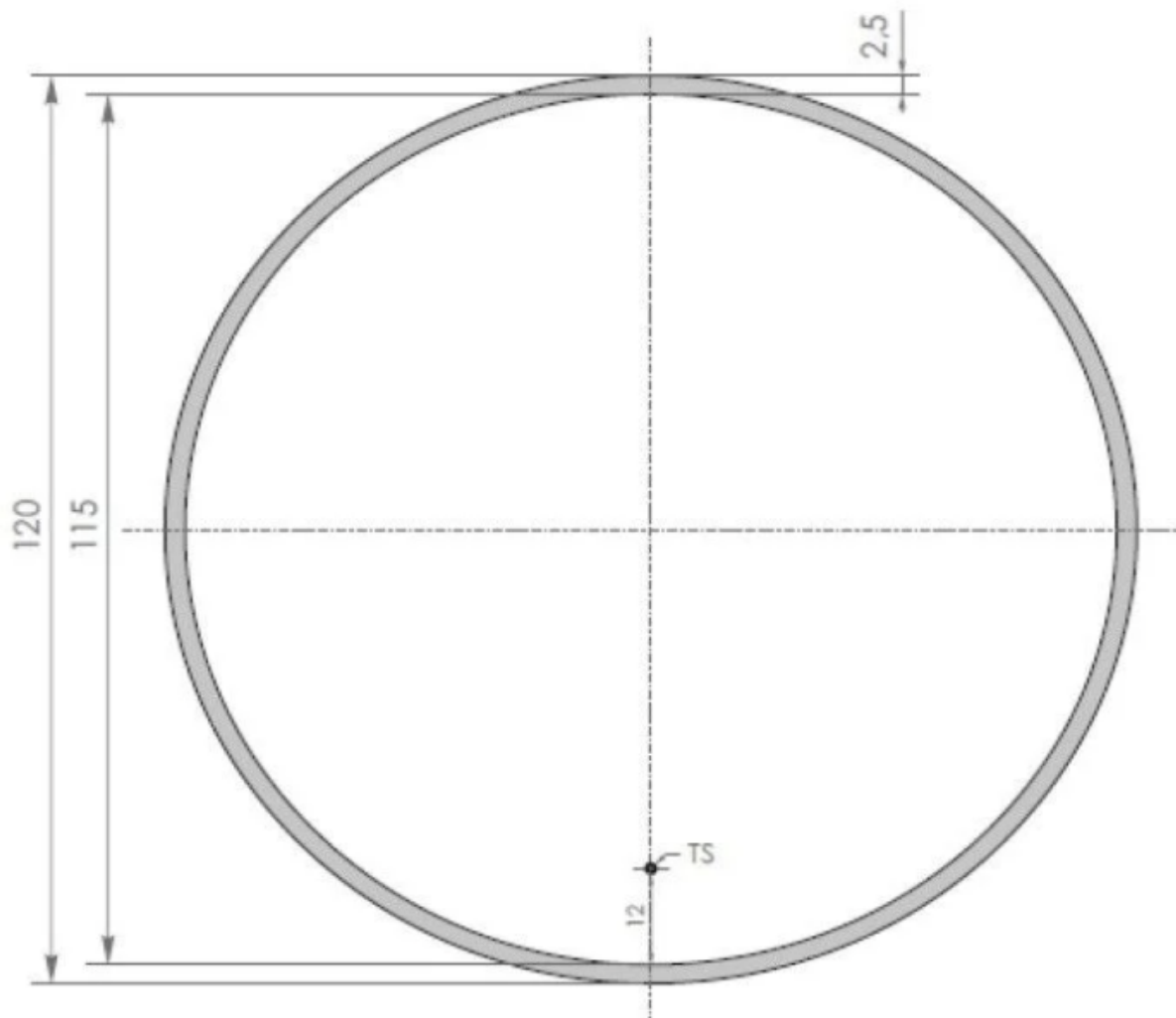


Scale 1:1

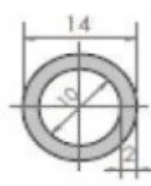
DIMENSIONS ARE IN CENTIMETERS (cm)
DO NOT SCALE DRAWING

SIGNATURE/REVISION:

	NAME	SIGNATURE	DATE	PRODUCT:	MIRROR	TITLE:		
DRAWN				MATERIAL:	GLASS	FANTASIA		
CHK'D				THICKNESS:	4mm			
APP'VD				EDGING:	C / F edge	DIMENSIONS:	Ø1000 mm	A4
MFG				SANDBLASTING:	YES <input type="checkbox"/>	SCALE:	1 : 10	SHEET 1 OF 1
Q.A				SNESOR/SWICHT:	TOUCH			



Touch



Scale 1:1

DIMENSIONS ARE IN CENTIMETERS (cm)
DO NOT SCALE DRAWING

SIGNATURE/REVISION:

	NAME	SIGNATURE	DATE	PRODUCT:	MIRROR
DRAWN				MATERIAL:	GLASS
CHK'D				THICKNESS:	4mm
APP'VD				EDGING:	C / F edge
MFG				SANDBLASTING:	YES <input type="checkbox"/>
Q.A				SNESOR/SWICHTH:	TOUCH

TITLE:	FANTASIA	
DIMENSIONS:	Ø1200 mm	A4
SCALE:	1 : 10	SHEET 1 OF 1