

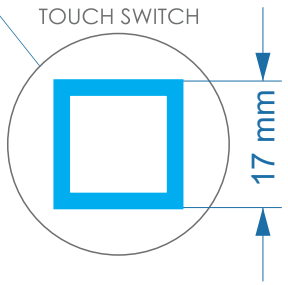
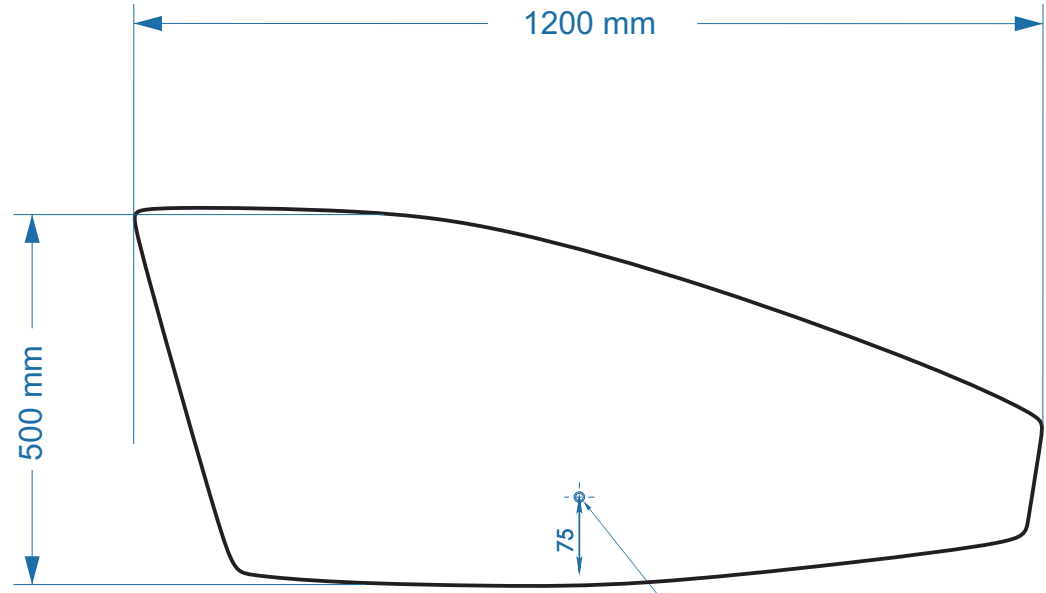
DIMENSIONS ARE IN CENTIMETERS (cm)  
DO NOT SCALE DRAWING

SIGNATURE/REVISION:

	NAME	SIGNATURE	DATE
DRAWN			
CHK D			
APPV D			
MFG			
A			

PRODUCT:	MIRROR
MATERIAL:	GLASS
THICKNESS:	4mm
EDGING:	C / F edge
SANDBLASTING:	YES <input type="checkbox"/>
SNESOR/SWICHTH:	TOUCH

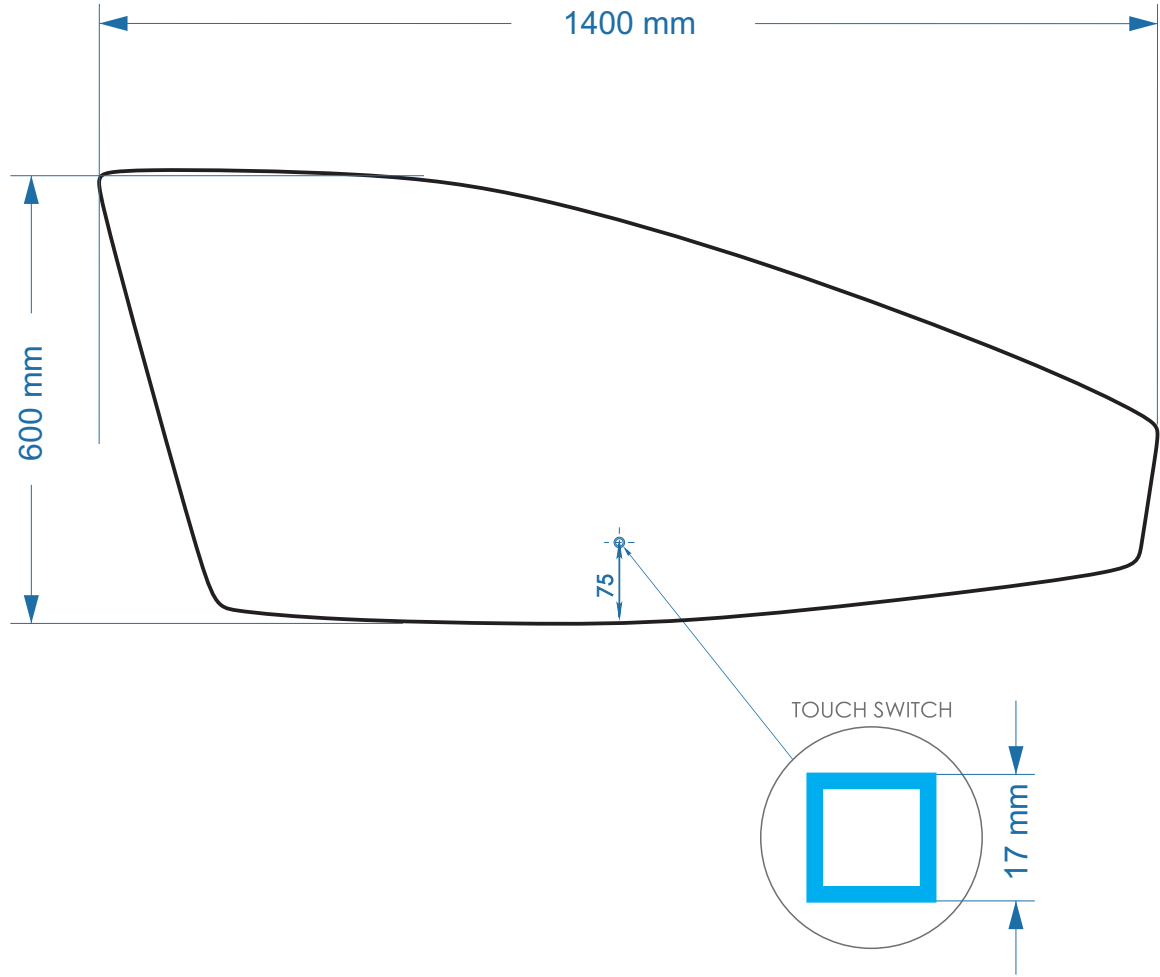
TITLE:	<b>Tartaros</b>	
DIMESIONS:	1000 x 500 mm	A4
SCALE:	1 : 10	SHEET 1 OF 1



DIMENSIONS ARE IN CENTIMETERS (cm)  
DO NOT SCALE DRAWING

SIGNATURE/REVISION:

NAME	SIGNATURE	DATE	PRODUCT:	MIRROR	TITLE:	
DRAWN			MATERIAL:	GLASS	<b>Tartaros</b>	
CHK D			THICKNESS:	4mm		
APPV D			EDGING:	C / F edge	DIMESIONS:	
MFG			SANDBLASTING:	YES <input type="checkbox"/>	<b>1200 x 500 mm</b>	<b>A4</b>
A			SNESOR/SWITCH:	TOUCH	SCALE: 1 : 10	SHEET 1 OF 1



DIMENSIONS ARE IN CENTIMETERS (cm)  
DO NOT SCALE DRAWING

SIGNATURE/REVISION:

NAME		SIGNATURE		DATE		PRODUCT:		MIRROR		TITLE:	
DRAWN						MATERIAL:	GLASS	<div style="text-align: center;"> <h1>Tartaros</h1> <p>DIMENSIONS: 1400 x 600 mm</p> <p>SCALE: 1 : 10      SHEET 1 OF 1</p> </div>			
CHK D						THICKNESS:	4mm				
APPV D						EDGING:	C / F edge				
MFG						SANDBLASTING:	YES <input type="checkbox"/>				
A						SNESOR/SWITCH:	TOUCH				

4

2

1

A4

4

2

1

F

F

E

E

D

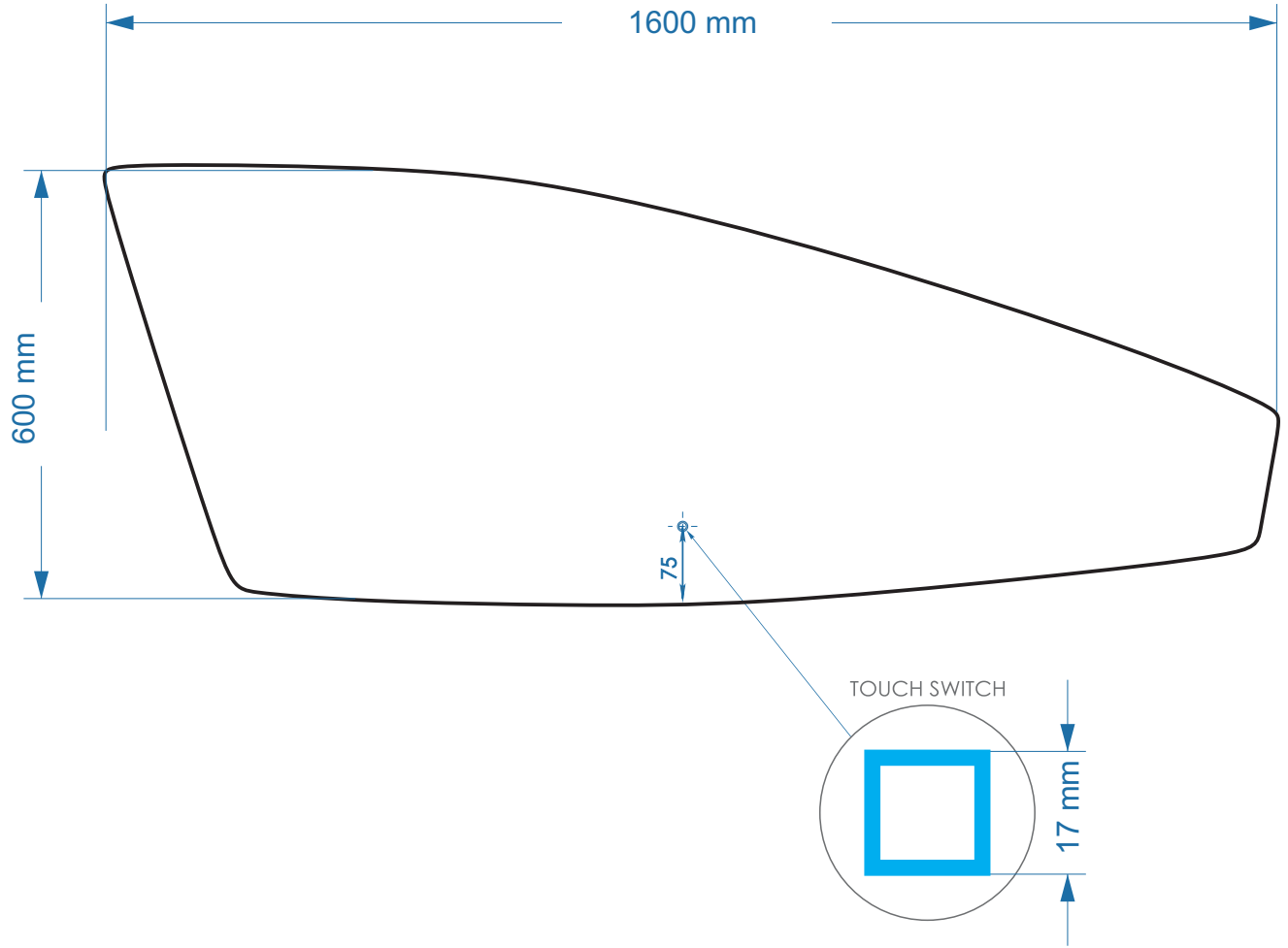
D

C

C

B

B



DIMENSIONS ARE IN  
CENTIMETERS (cm)  
DO NOT SCALE DRAWING

SIGNATURE/REVISION:

	NAME	SIGNATURE	DATE
DRAWN			
CHK D			
APPV D			
MFG			
A			

PRODUCT:	MIRROR
MATERIAL:	GLASS
THICKNESS:	4mm
EDGING:	C / F edge
SANDBLASTING:	YES <input type="checkbox"/>
SNESOR/SWITCH:	TOUCH

TITLE:	<b>Tartaros</b>	
DIMESIONS:	1600 x 600 mm	A4
SCALE:	1 : 10	SHEET 1 OF 1

4

2

1

A

A