

4

2

1

F

F

E

E

D

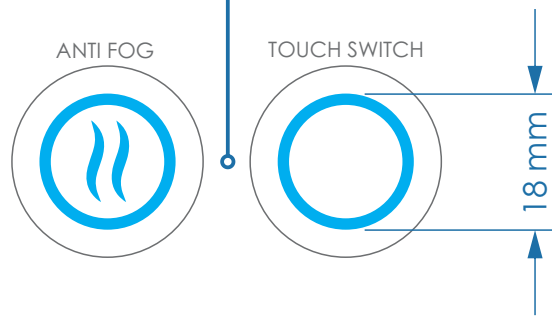
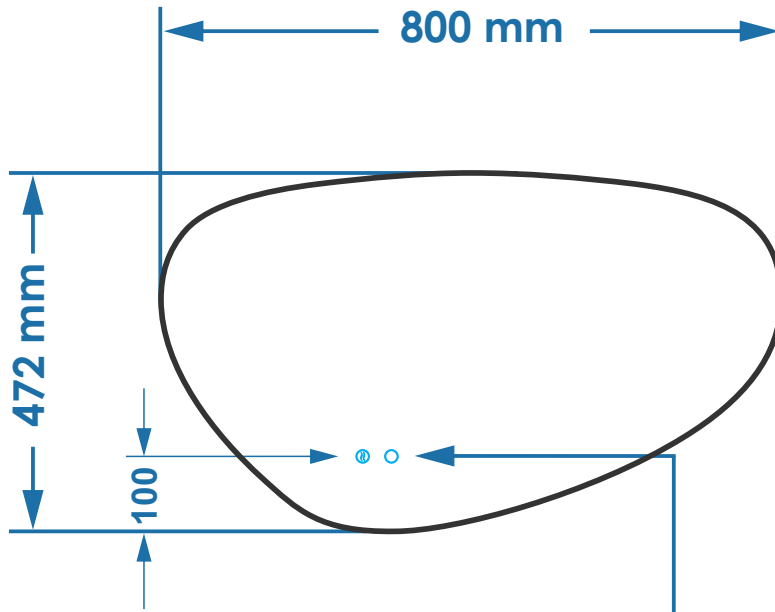
D

C

C

B

B



DIMENSIONS ARE IN
MILIMETERS (mm)
DO NOT SCALE DRAWING

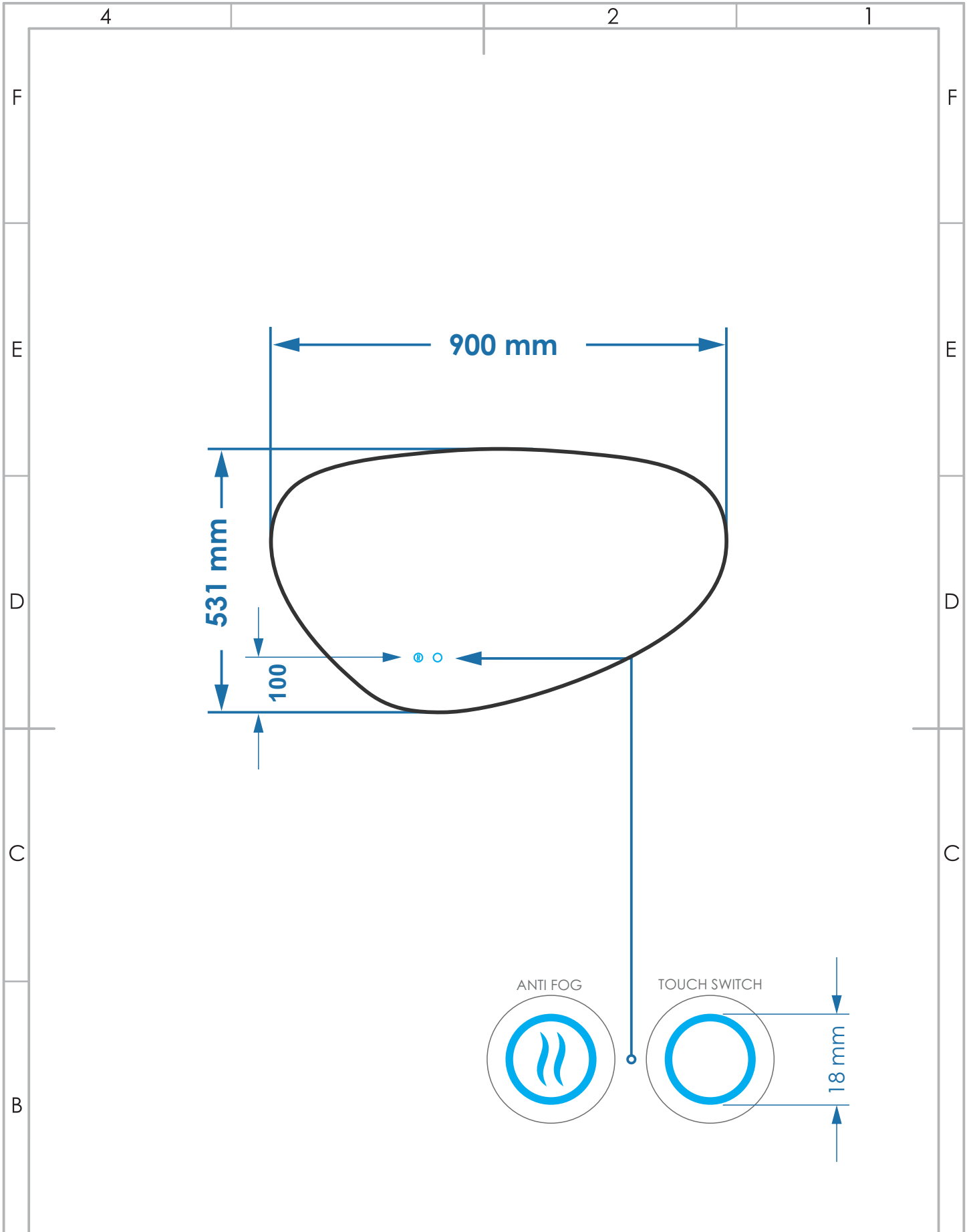
SIGNATURE/REVISION:

A	NAME	SIGNATURE	DATE	PRODUCT:	MIRROR	TITLE: Trendy		
	DRAWN			MATERIAL:	GLASS			
	CHK D			THICKNESS:	4mm			
	APPV D			EDGING:	C / F edge	DIMENSIONS: 800 x 472 mm		
	MFG			SANDBLASTING:	YES <input checked="" type="checkbox"/>			
A				SNESOR/SWICHTH:	TOUCH	SCALE: 1 : 10	SHEET 1 OF 1	A4

4

2

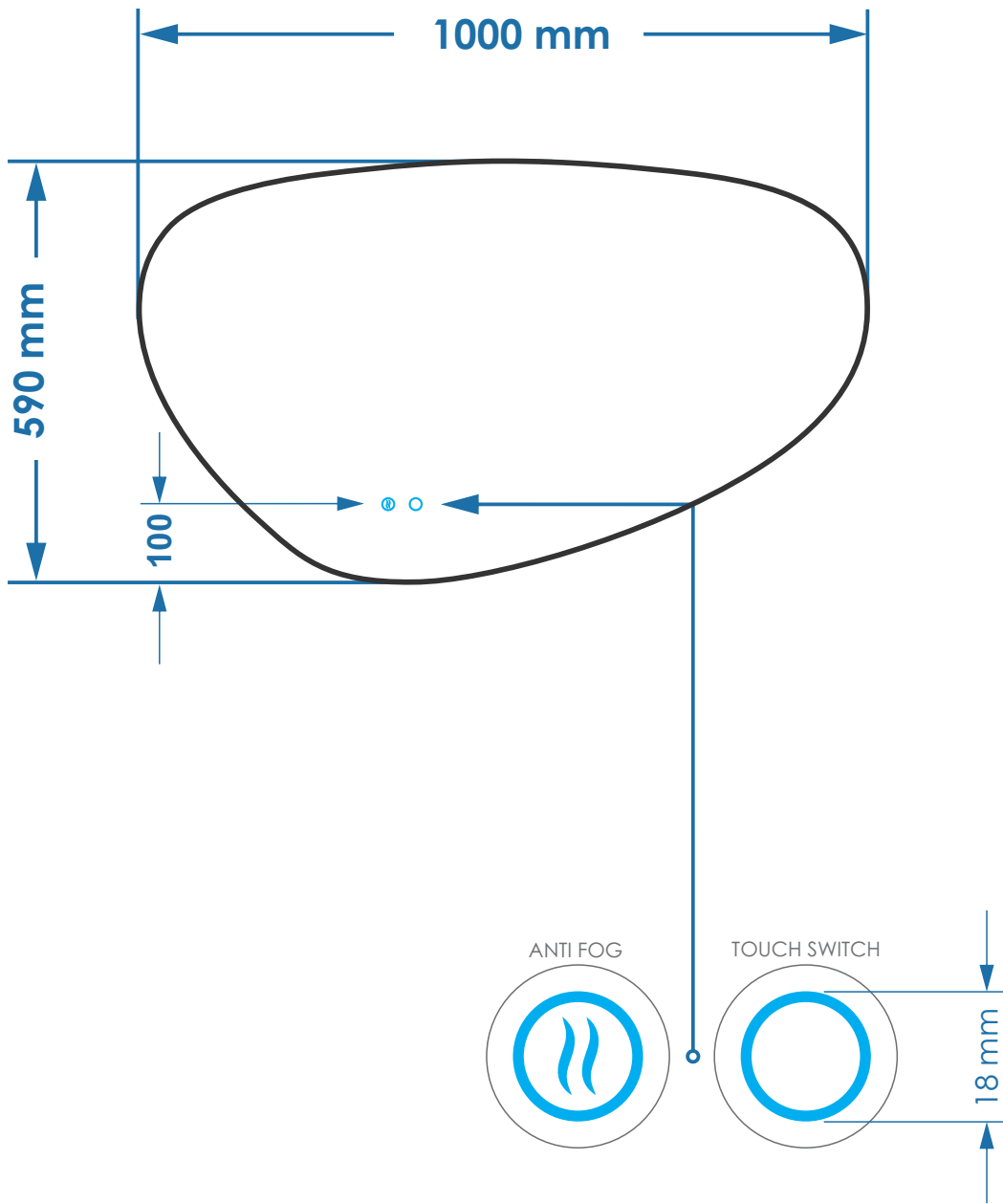
1



DIMENSIONS ARE IN
MILIMETERS (mm)
DO NOT SCALE DRAWING

SIGNATURE/REVISION:

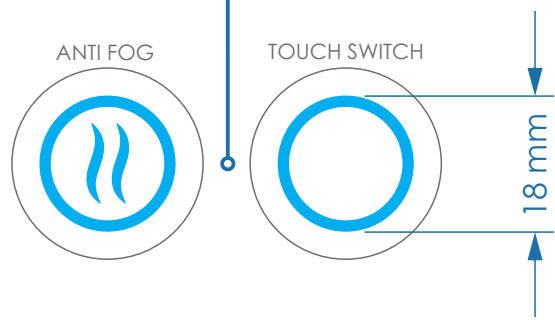
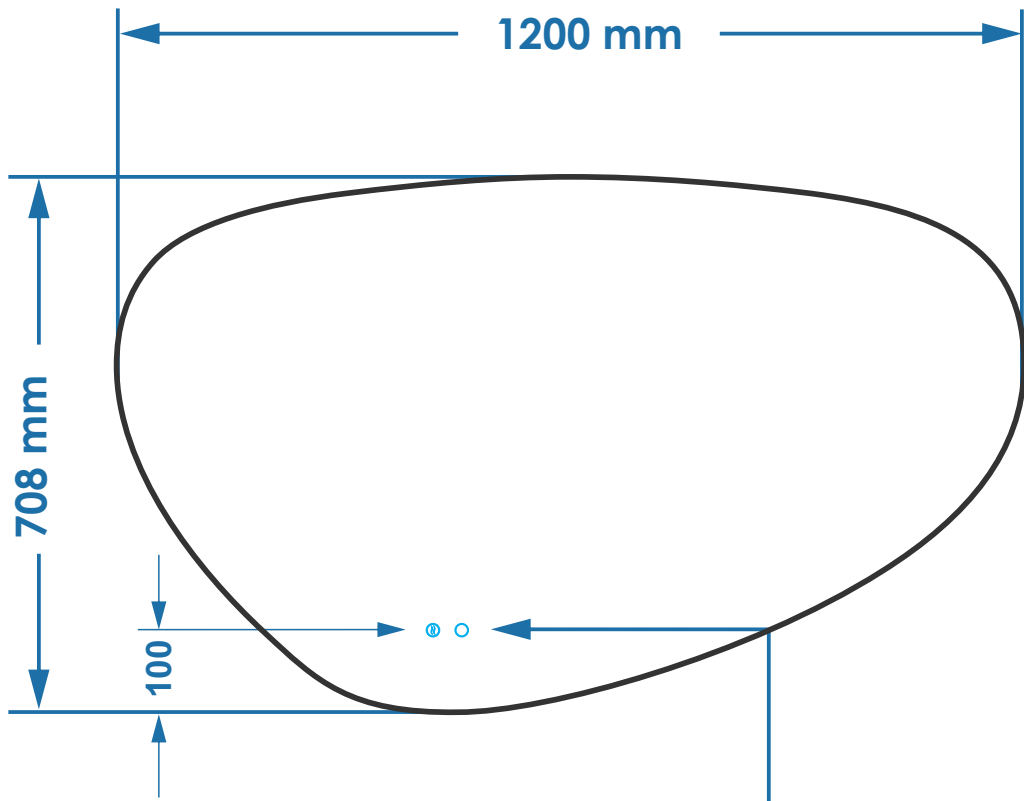
A	NAME	SIGNATURE	DATE	PRODUCT:	MIRROR	TITLE: Trendy	DIMENSIONS: 900 x 531 mm	A4	
	DRAWN			MATERIAL:	GLASS				
	CHK D			THICKNESS:	4mm				
	APPV D			EDGING:	C / F edge	SCALE:	1 : 10	SHEET	1 OF 1
	MFG			SANDBLASTING:	YES <input checked="" type="checkbox"/>				
	A			SNESOR/SWICHT:	TOUCH				



DIMENSIONS ARE IN
MILIMETERS (mm)
DO NOT SCALE DRAWING

SIGNATURE/REVISION:

		NAME	SIGNATURE	DATE	PRODUCT:	MIRROR	TITLE:		
A	DRAWN				MATERIAL:	GLASS	Trendy		
	CHK D				THICKNESS:	4mm			
	APPV D				EDGING:	C / F edge	DIMENSIONS:	1000 x 590 mm	
	MFG				SANDBLASTING:	YES <input checked="" type="checkbox"/>		A4	
	A				SNESOR/SWICHTH:	TOUCH	SCALE:	1 : 10	SHEET



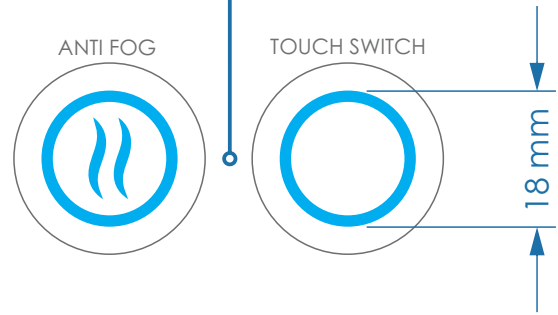
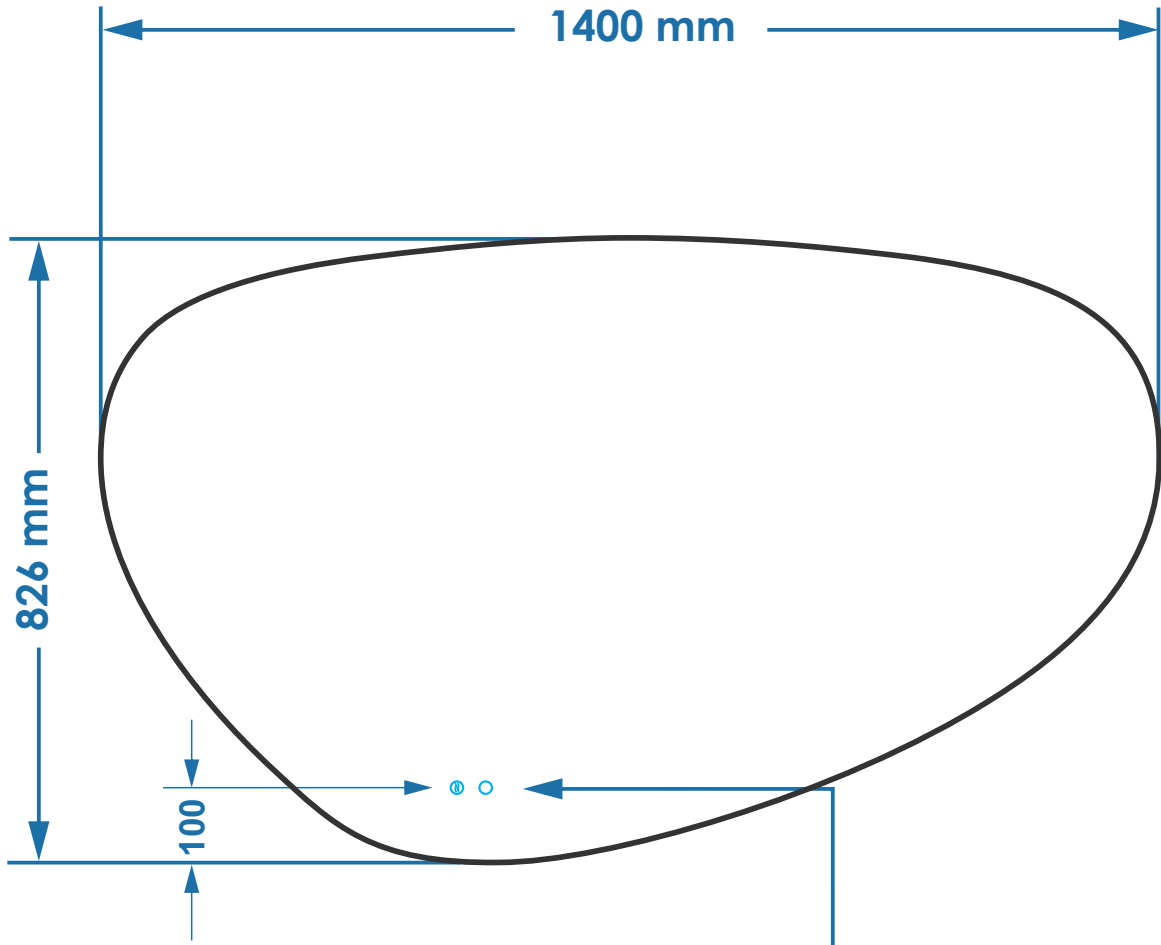
DIMENSIONS ARE IN
MILIMETERS (mm)
DO NOT SCALE DRAWING

SIGNATURE/REVISION:

A	NAME	SIGNATURE	DATE	PRODUCT:	MIRROR	TITLE: Trendy	DIMENSIONS: 1200 x 708 mm	A4	
	DRAWN			MATERIAL:	GLASS				
	CHK D			THICKNESS:	4mm				
	APPV D			EDGING:	C / F edge	SCALE:	1 : 10	SHEET	1 OF 1
	MFG			SANDBLASTING:	YES <input checked="" type="checkbox"/>	SNESOR/SWICHTH:	TOUCH		

4 2 1

F F



C C

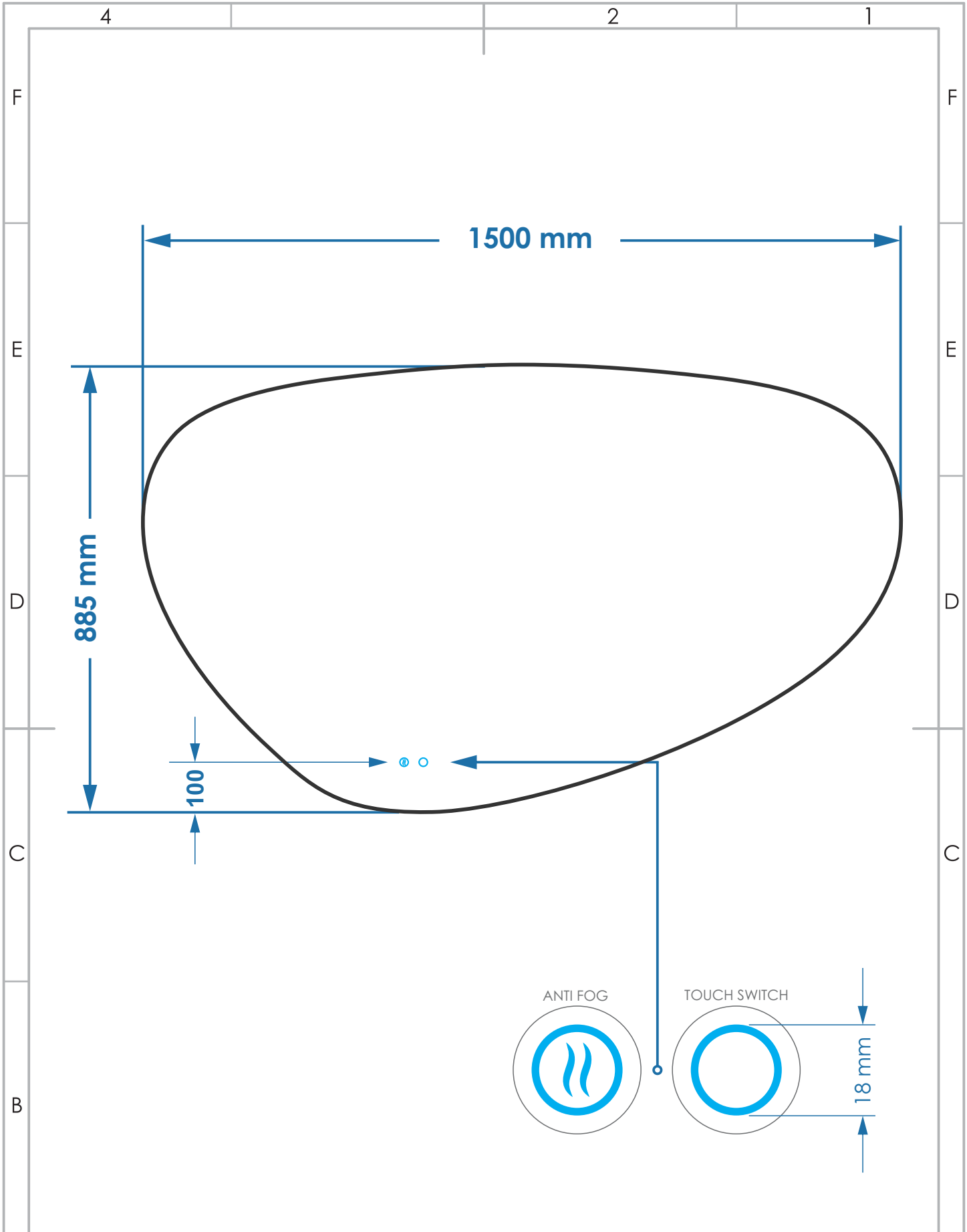
B B

DIMENSIONS ARE IN
MILIMETERS (mm)
DO NOT SCALE DRAWING

SIGNATURE/REVISION:

NAME		SIGNATURE		DATE		PRODUCT:		MIRROR		TITLE:	
A	DRAWN					PRODUCT:	MIRROR	Trendy			
	CHK D					MATERIAL:	GLASS				
	APPV D					THICKNESS:	4mm				
	MFG					EDGING:	C / F edge				
	A					SANDBLASTING:	YES <input checked="" type="checkbox"/>				
						SNESOR/SWICHTH:	TOUCH	DIMENSIONS:		1400 x 826 mm	A4
						SCALE:	1 : 10	SHEET		1 OF 1	

4 2 1



DIMENSIONS ARE IN MILIMETERS (mm)
DO NOT SCALE DRAWING

SIGNATURE/REVISION:

			NAME	SIGNATURE	DATE	PRODUCT:	MIRROR	TITLE:	
A	DRAWN					MATERIAL:	GLASS	Trendy	
	CHK D					THICKNESS:	4mm		
	APPV D					EDGING:	C / F edge	DIMENSIONS:	1500 x 885 mm
	MFG					SANDBLASTING:	YES <input checked="" type="checkbox"/>		A4
	A					SNESOR/SWICTH:	TOUCH	SCALE:	1 : 10