

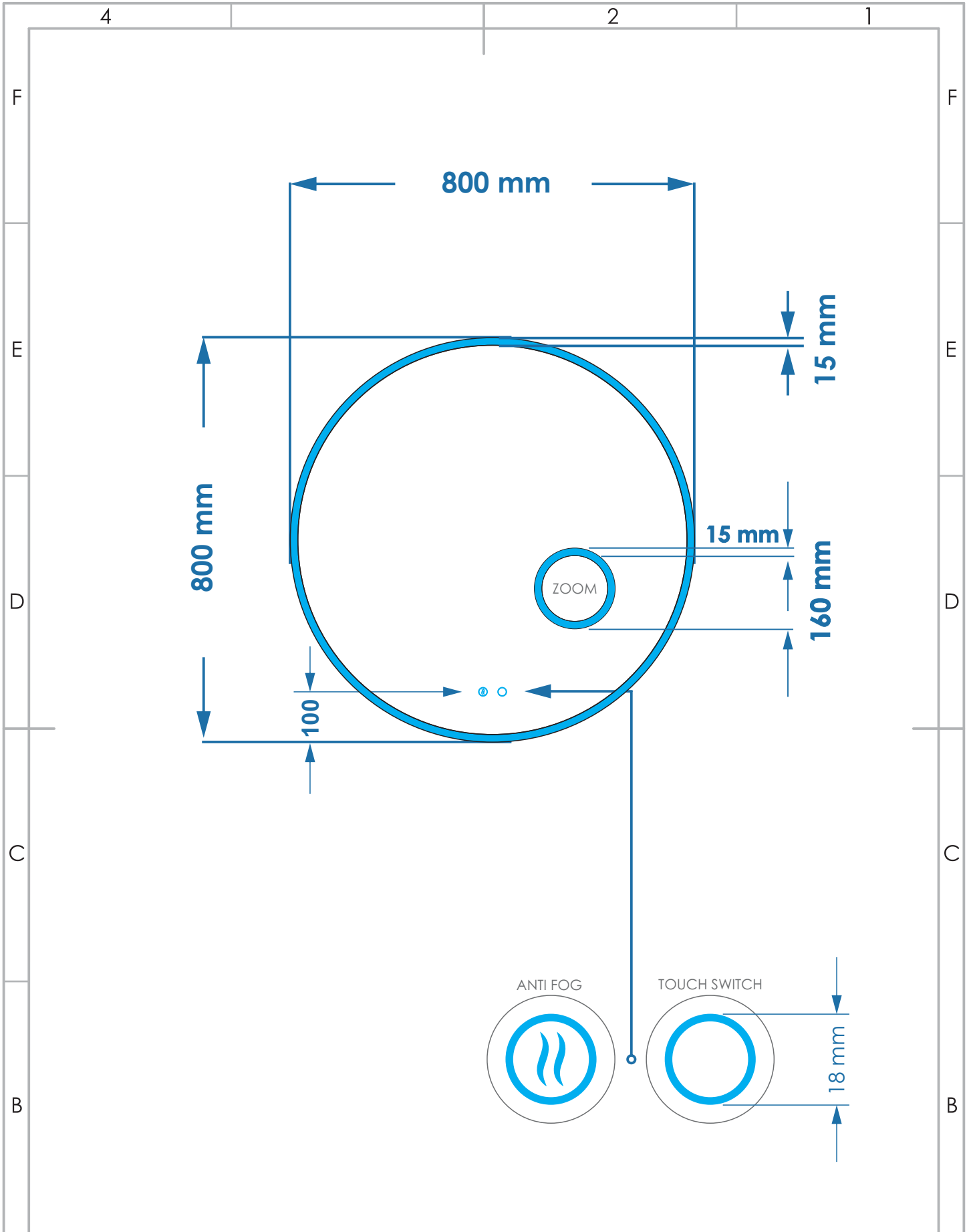
DIMENSIONS ARE IN  
MILIMETERS (mm)  
DO NOT SCALE DRAWING

SIGNATURE/REVISION:

	NAME	SIGNATURE	DATE
DRAWN			
CHK D			
APPV D			
MFG			
A			

PRODUCT:	MIRROR
MATERIAL:	GLASS
THICKNESS:	4mm
EDGING:	C / F edge
SANDBLASTING:	YES <input checked="" type="checkbox"/>
SNESOR/SWICHTH:	TOUCH

TITLE:	<h1>Sol</h1>	
DIMESIONS:	600 x 600 mm	A4
SCALE:	1 : 10	SHEET 1 OF 1



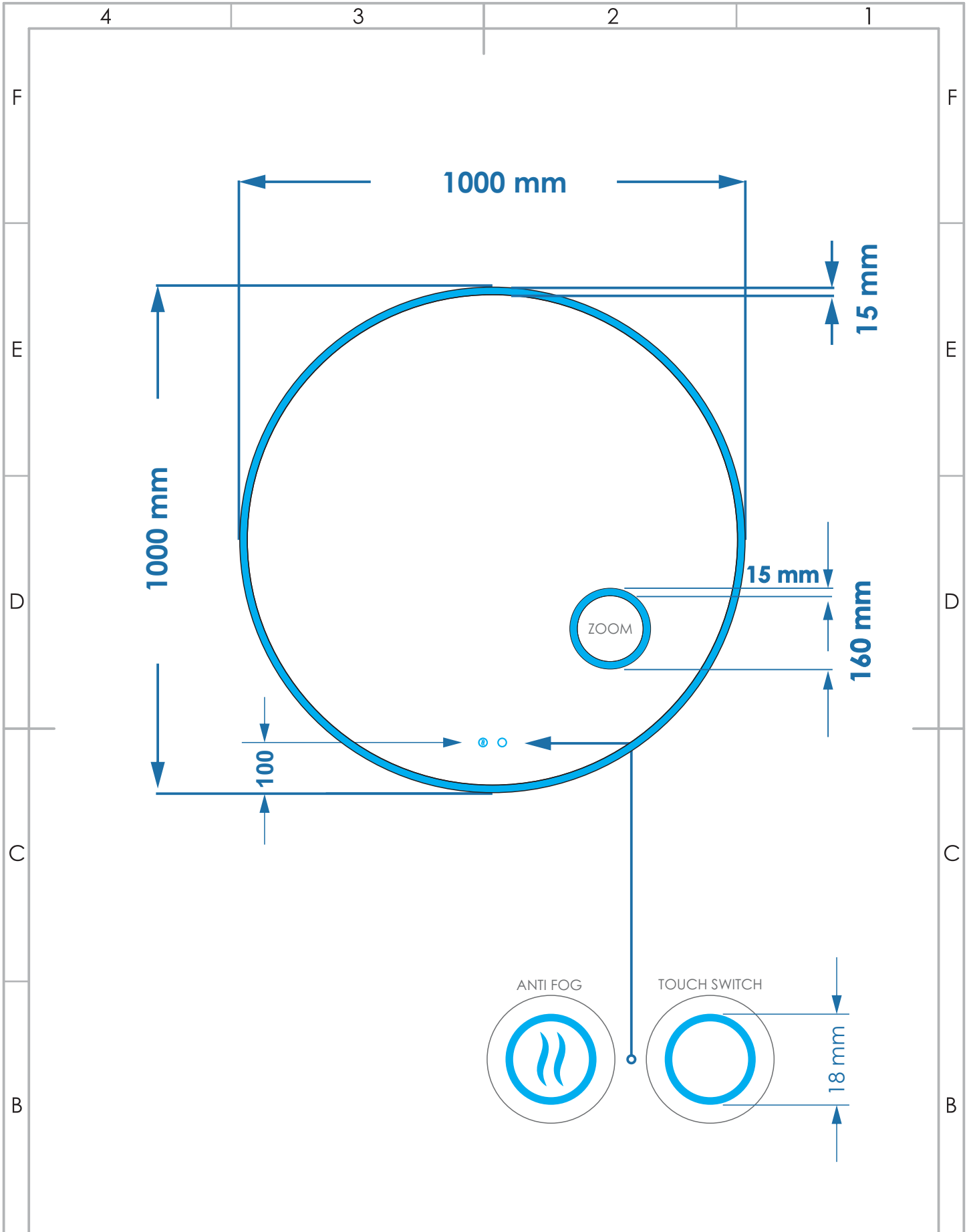
DIMENSIONS ARE IN  
MILIMETERS (mm)  
DO NOT SCALE DRAWING

SIGNATURE/REVISION:

	NAME	SIGNATURE	DATE
DRAWN			
CHK D			
APPV D			
MFG			
A			

PRODUCT:	MIRROR
MATERIAL:	GLASS
THICKNESS:	4mm
EDGING:	C / F edge
SANDBLASTING:	YES <input checked="" type="checkbox"/>
SNESOR/SWICHTH:	TOUCH

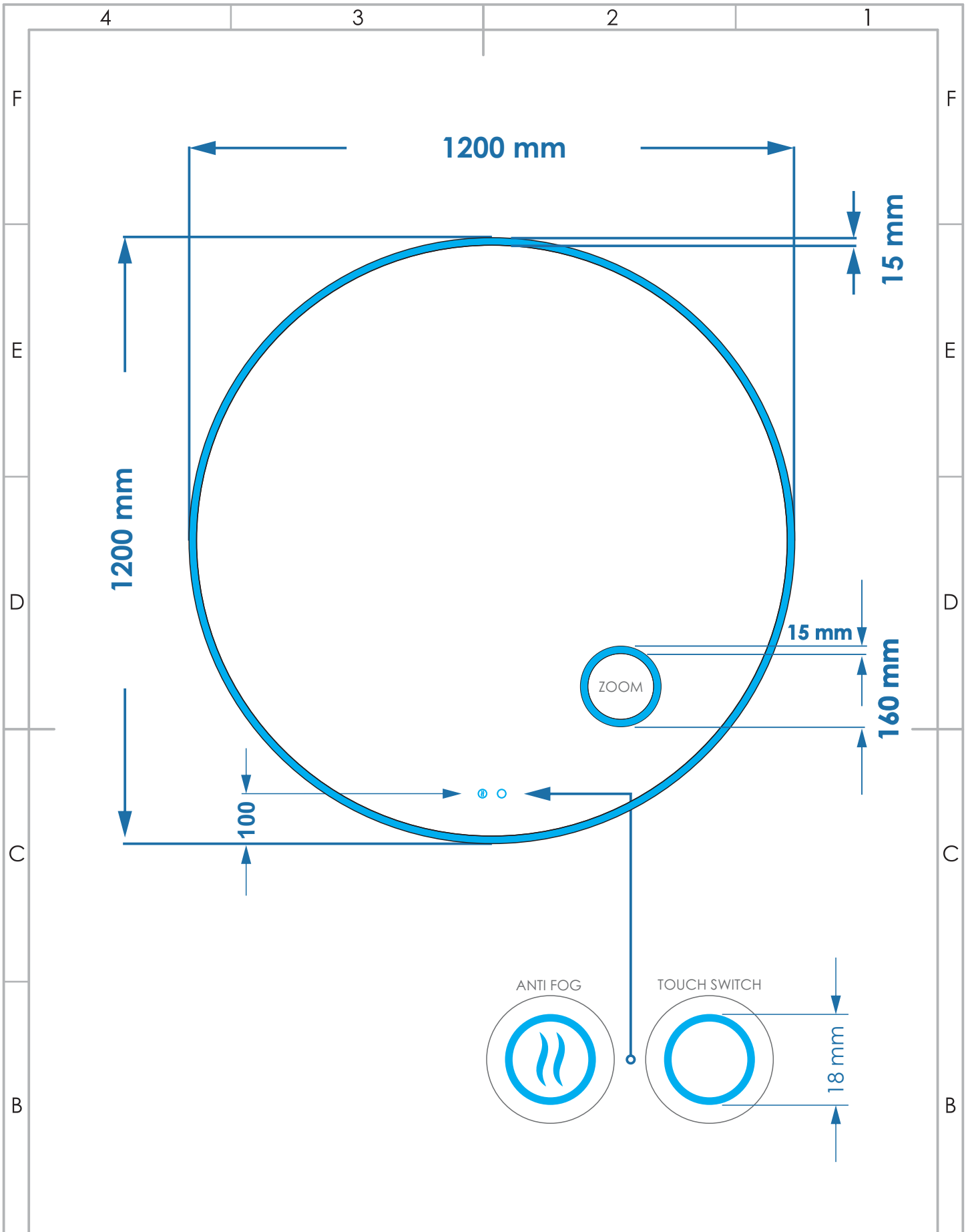
TITLE:	<h1>Sol</h1>	
DIMESIONS:	800 x 800 mm	A4
SCALE:	1 : 10	SHEET 1 OF 1



DIMENSIONS ARE IN  
MILIMETERS (mm)  
DO NOT SCALE DRAWING

SIGNATURE/REVISION:

A	NAME	SIGNATURE	DATE	PRODUCT:	MIRROR	TITLE: <h1>Sol</h1>
	DRAWN			MATERIAL:	GLASS	
	CHK D			THICKNESS:	4mm	
	APPV D			EDGING:	C / F edge	DIMENSIONS: 1000 x 1000 mm A4
	MFG			SANDBLASTING:	YES <input checked="" type="checkbox"/>	
A				SNESOR/SWICHTH:	TOUCH	SCALE: 1 : 10 SHEET 1 OF 1



DIMENSIONS ARE IN  
MILIMETERS (mm)  
DO NOT SCALE DRAWING

SIGNATURE/REVISION:

A	NAME	SIGNATURE	DATE	PRODUCT:	MIRROR	TITLE:	Sol	DIMENSIONS:	1200 x 1200 mm	A4
	DRAWN			MATERIAL:	GLASS					
	CHK D			THICKNESS:	4mm					
	APPV D			EDGING:	C / F edge					
	MFG			SANDBLASTING:	YES <input checked="" type="checkbox"/>					
A			SNESOR/SWICHTH:	TOUCH	SCALE:	1 : 10	SHEET	1 OF 1		