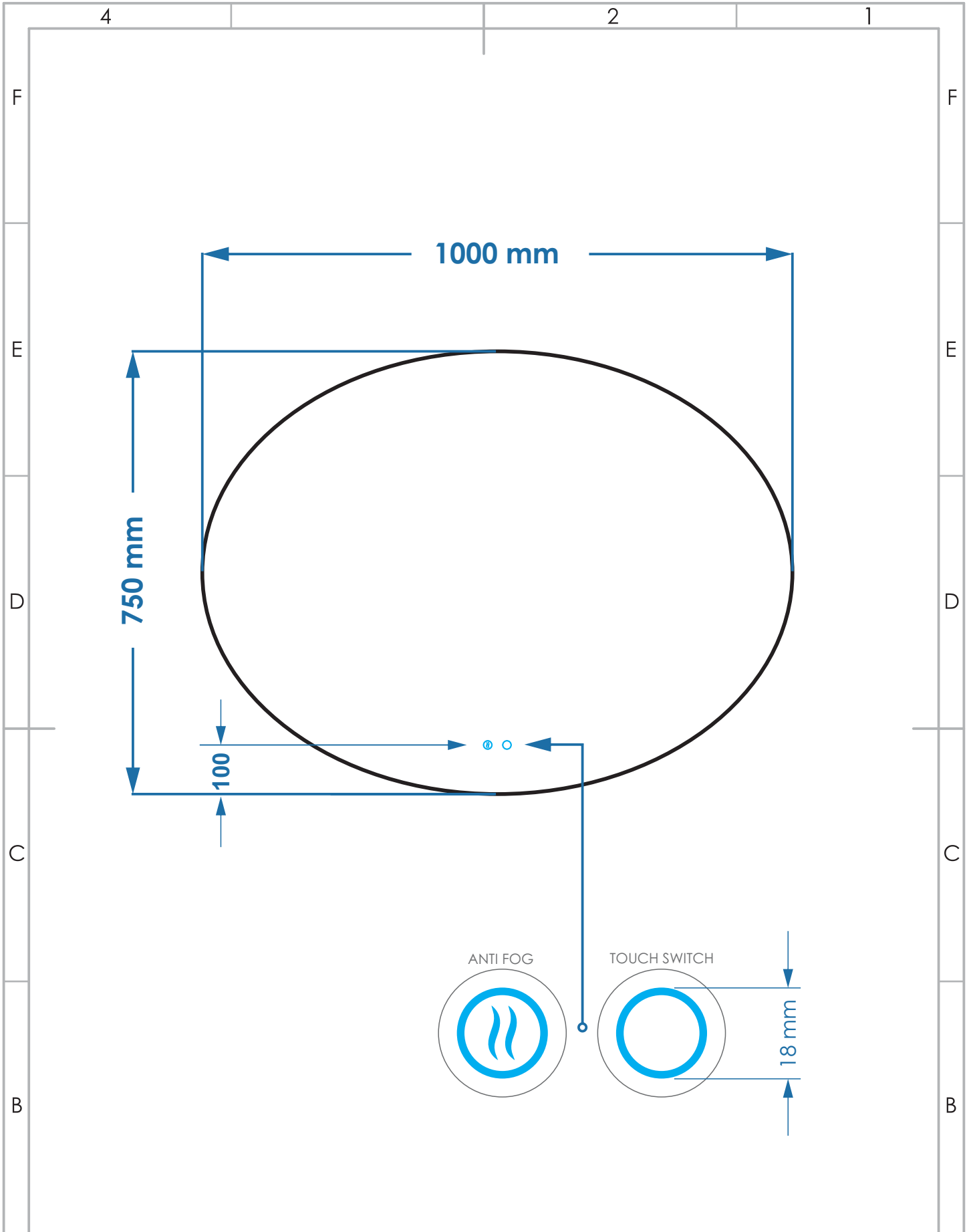


DIMENSIONS ARE IN
MILIMETERS (mm)
DO NOT SCALE DRAWING

SIGNATURE/REVISION:

			NAME	SIGNATURE	DATE	PRODUCT:	MIRROR	TITLE:		
A	DRAWN					MATERIAL:	GLASS	Oval		
	CHK D					THICKNESS:	4mm			
	APPV D					EDGING:	C / F edge	DIMENSIONS:	600 x 1000 mm	A4
	MFG					SANDBLASTING:	NO <input type="checkbox"/>	SCALE:	1 : 10	SHEET 1 OF 1
	A					SNESOR/SWICHTH:	TOUCH			



DIMENSIONS ARE IN
MILIMETERS (mm)
DO NOT SCALE DRAWING

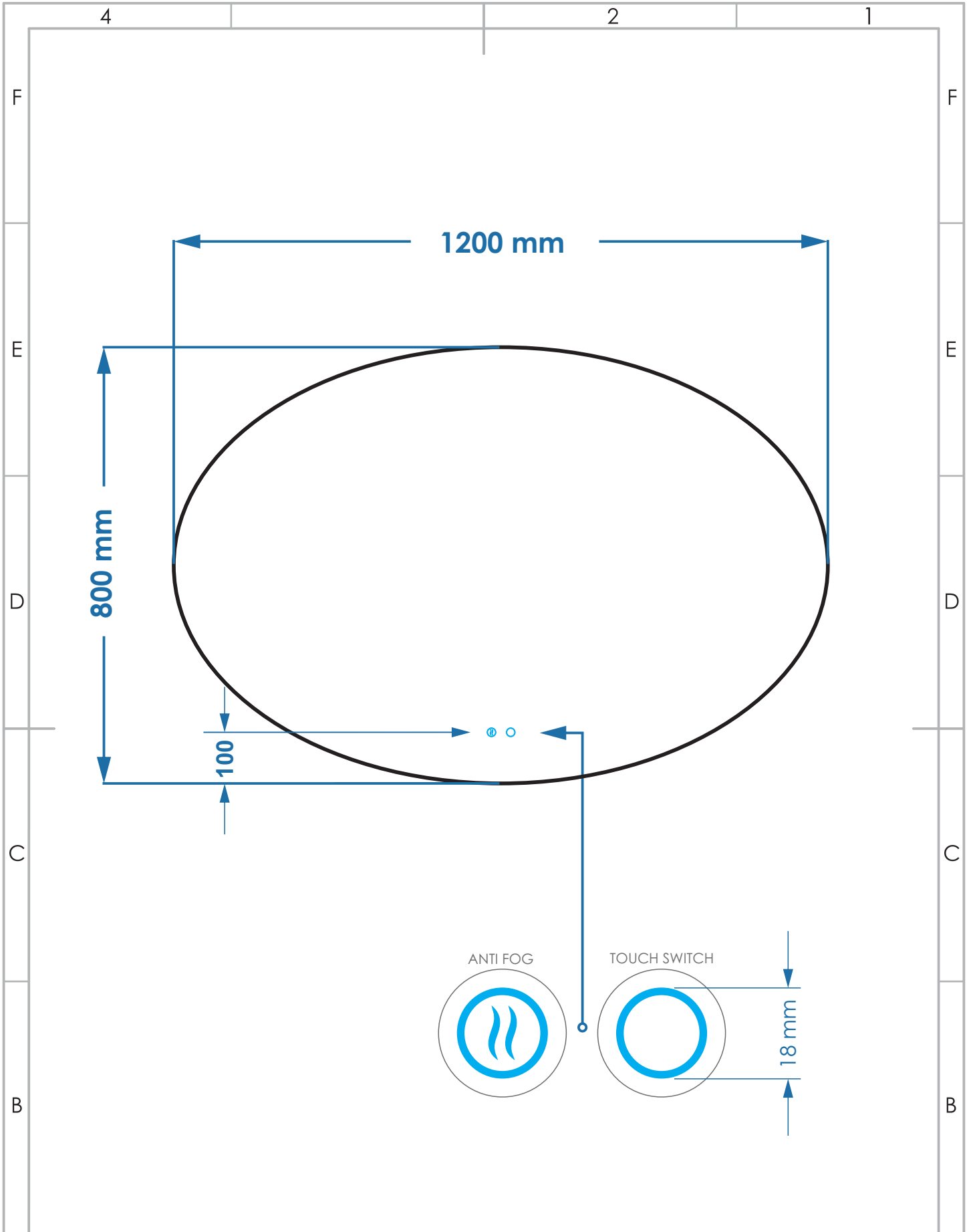
SIGNATURE/REVISION:

A	NAME	SIGNATURE	DATE	PRODUCT:	MIRROR	TITLE:	<h1>Oval</h1>
	DRAWN			MATERIAL:	GLASS		
	CHK D			THICKNESS:	4mm	DIMENSIONS:	1000 x 750 mm
	APPV D			EDGING:	C / F edge		
	MFG			SANDBLASTING:	NO <input type="checkbox"/>	SCALE:	1 : 10
A			SNESOR/SWICHTH:	TOUCH			

4

2

1



DIMENSIONS ARE IN
MILIMETERS (mm)
DO NOT SCALE DRAWING

SIGNATURE/REVISION:

A	NAME	SIGNATURE	DATE	PRODUCT:	MIRROR	TITLE: <h1>Oval</h1>
	DRAWN			MATERIAL:	GLASS	
	CHK D			THICKNESS:	4mm	
	APPV D			EDGING:	C / F edge	DIMENSIONS: 1200 x 800 mm
	MFG			SANDBLASTING:	NO <input type="checkbox"/>	
A				SNESOR/SWICHTH:	TOUCH	SCALE: 1 : 10

A4

SHEET 1 OF 1

4

2

1

4

2

1

F

F

E

E

D

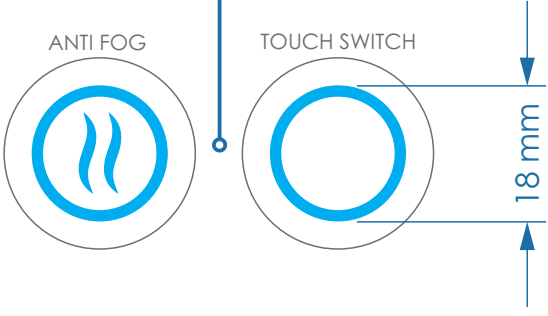
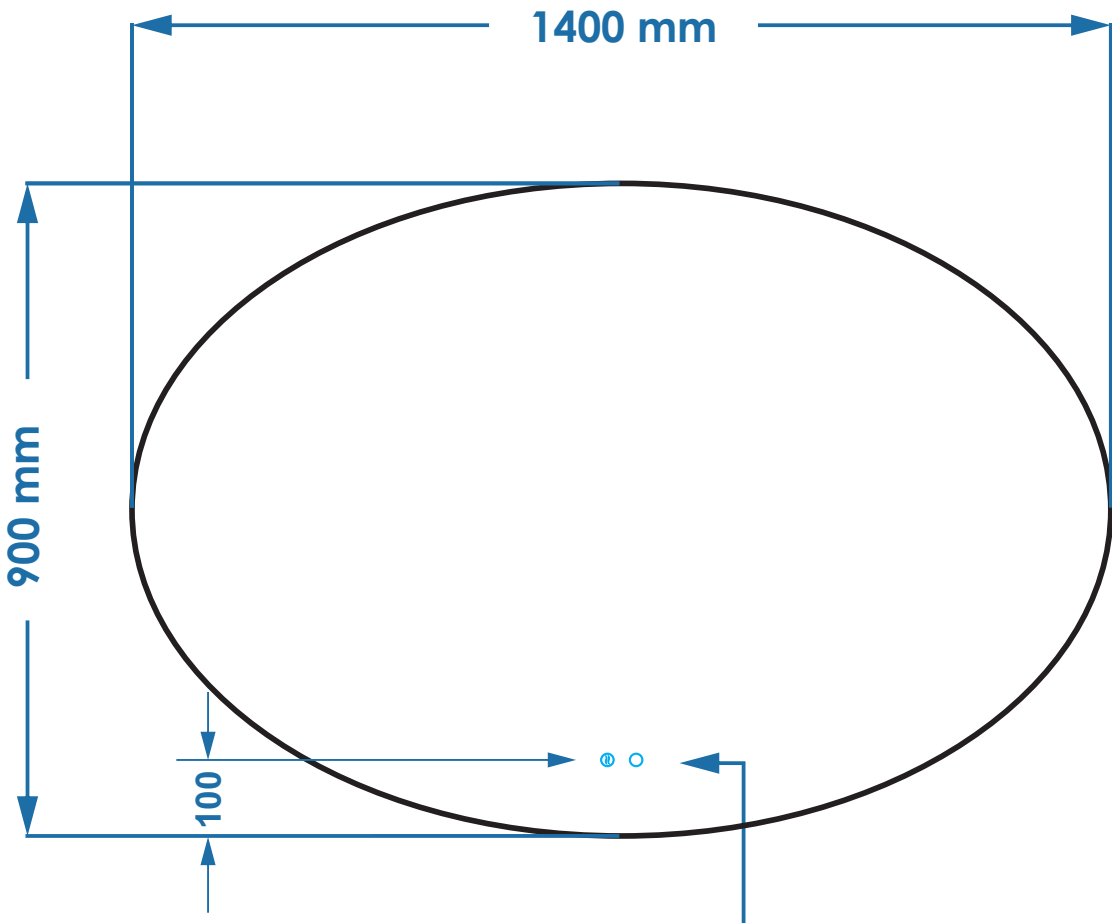
D

C

C

B

B



DIMENSIONS ARE IN
MILIMETERS (mm)
DO NOT SCALE DRAWING

SIGNATURE/REVISION:

	NAME	SIGNATURE	DATE
DRAWN			
CHK D			
APPV D			
MFG			
A			

PRODUCT:	MIRROR
MATERIAL:	GLASS
THICKNESS:	4mm
EDGING:	C / F edge
SANDBLASTING:	NO <input type="checkbox"/>
SNESOR/SWICHTH:	TOUCH

TITLE:	<h1>Oval</h1>	
DIMESIONS:	1400 x 900 mm	A4
SCALE:	1 : 10	SHEET 1 OF 1

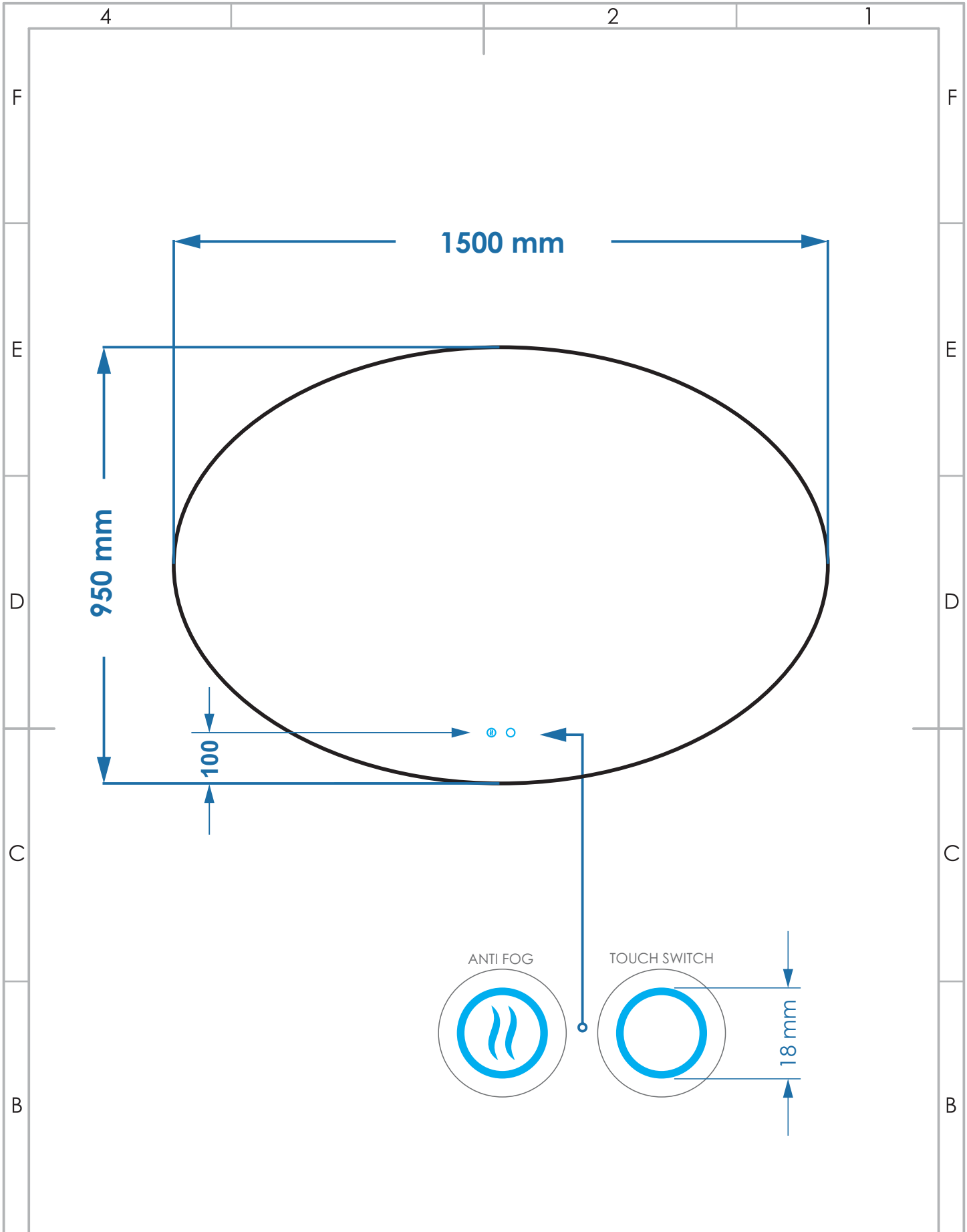
4

2

1

A

A



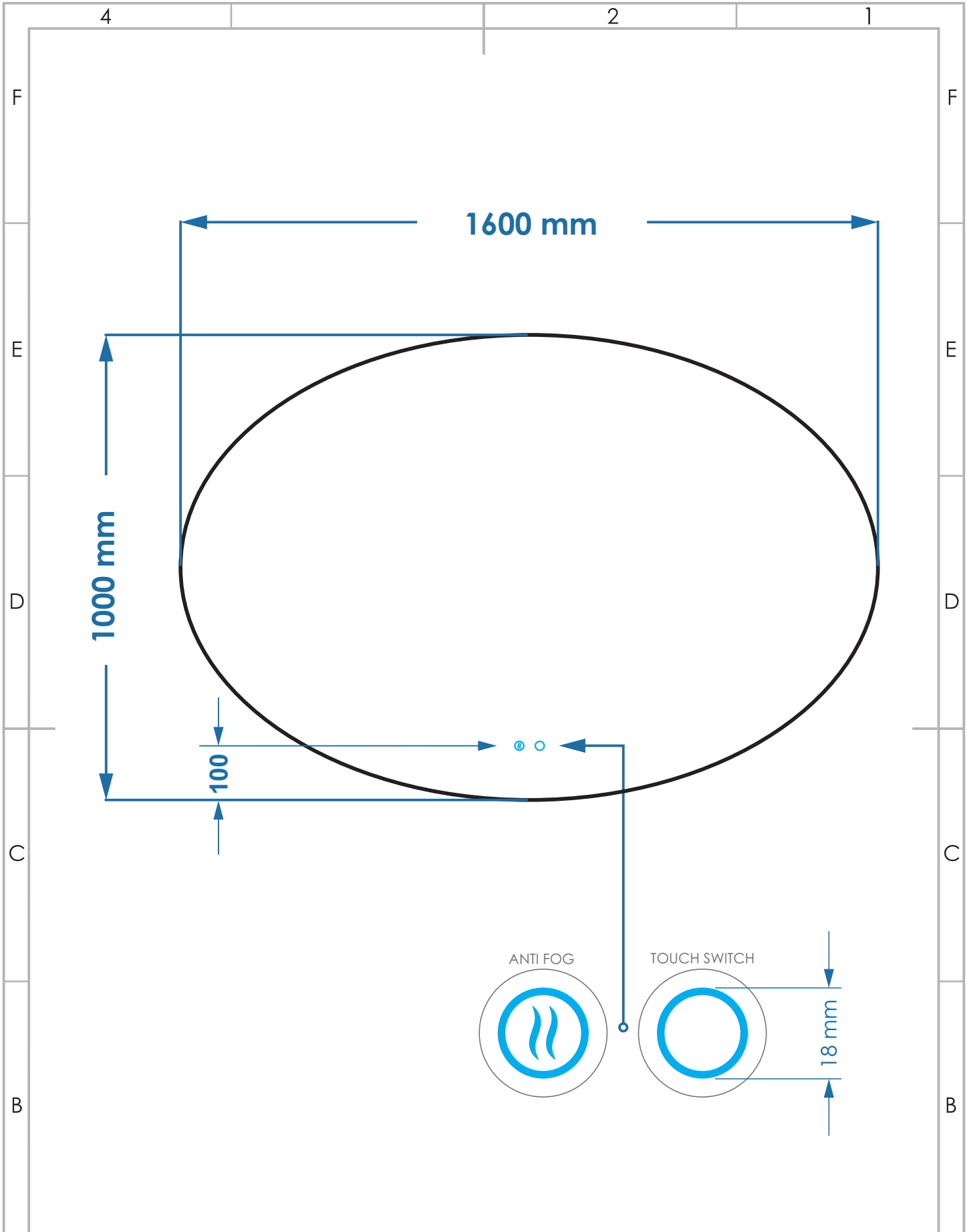
DIMENSIONS ARE IN
MILIMETERS (mm)
DO NOT SCALE DRAWING

SIGNATURE/REVISION:

A	NAME	SIGNATURE	DATE	PRODUCT:	MIRROR	TITLE: <h1>Oval</h1>
	DRAWN			MATERIAL:	GLASS	
	CHK D			THICKNESS:	4mm	
	APPV D			EDGING:	C / F edge	DIMENSIONS: 1500 x 950 mm
	MFG			SANDBLASTING:	NO <input type="checkbox"/>	
A				SNESOR/SWICHTH:	TOUCH	SCALE: 1 : 10

A4

SHEET 1 OF 1



DIMENSIONS ARE IN
MILIMETERS (mm)
DO NOT SCALE DRAWING

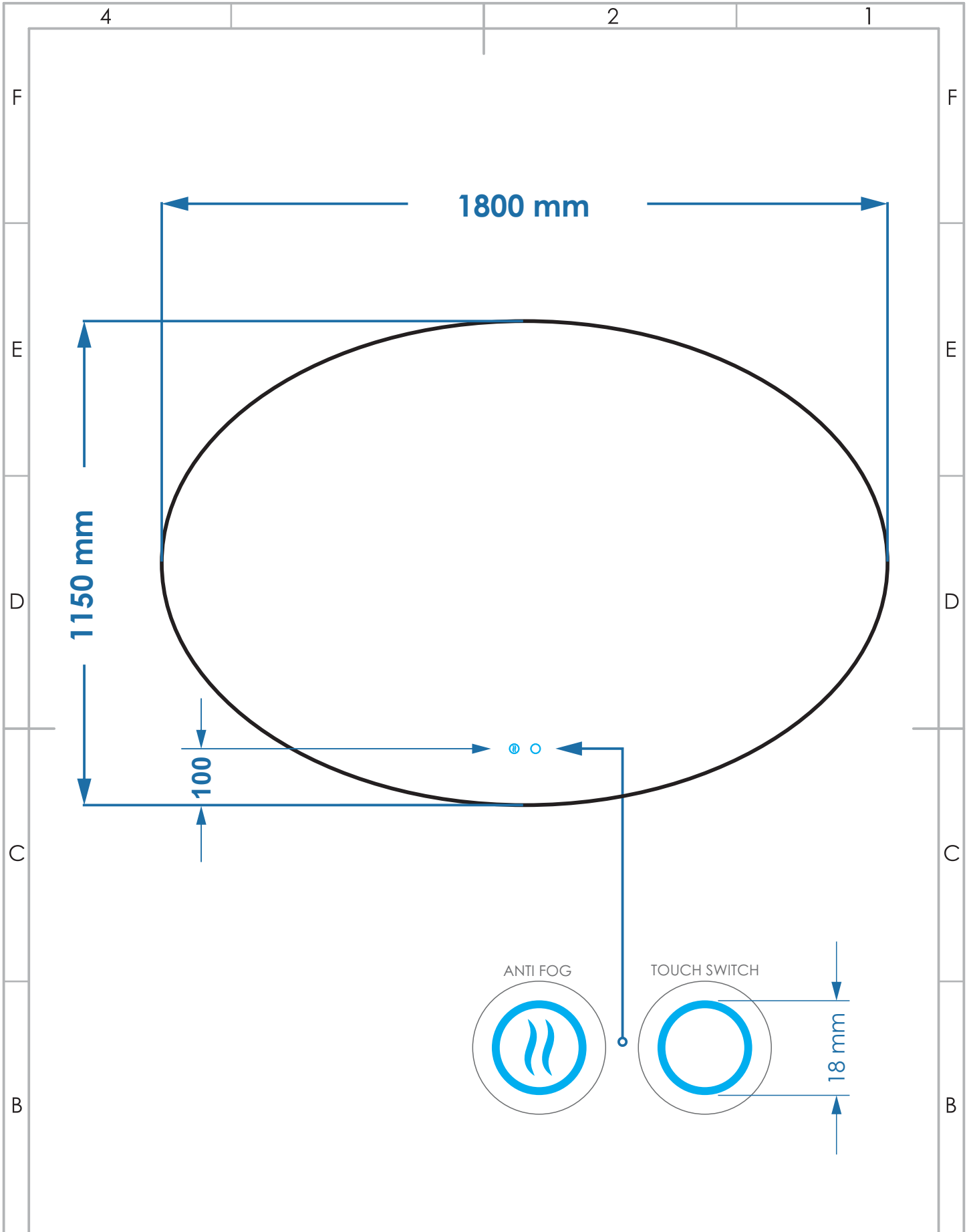
SIGNATURE/REVISION:

A	NAME	SIGNATURE	DATE	PRODUCT:	MIRROR	TITLE: <h1>Oval</h1>
	DRAWN			MATERIAL:	GLASS	
	CHK D			THICKNESS:	4mm	
	APPV D			EDGING:	C / F edge	DIMENSIONS: 1600 x 1000 mm A4
	MFG			SANDBLASTING:	NO <input type="checkbox"/>	
A				SNESOR/SWICHTH:	TOUCH	SCALE: 1 : 10 SHEET 1 OF 1

4

2

1



DIMENSIONS ARE IN
MILIMETERS (mm)
DO NOT SCALE DRAWING

SIGNATURE/REVISION:

	NAME	SIGNATURE	DATE
DRAWN			
CHK D			
APPV D			
MFG			
A			

PRODUCT:	MIRROR
MATERIAL:	GLASS
THICKNESS:	4mm
EDGING:	C / F edge
SANDBLASTING:	NO <input type="checkbox"/>
SNESOR/SWICHTH:	TOUCH

TITLE:	<h1>Oval</h1>	
DIMESIONS:	1800 x 1150 mm	A4
SCALE:	1 : 10	SHEET 1 OF 1

4

2

1