

4

2

1

F

F

E

E

D

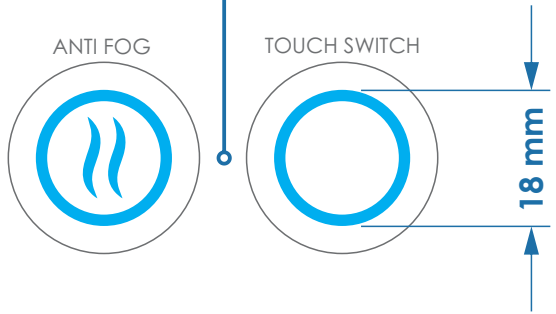
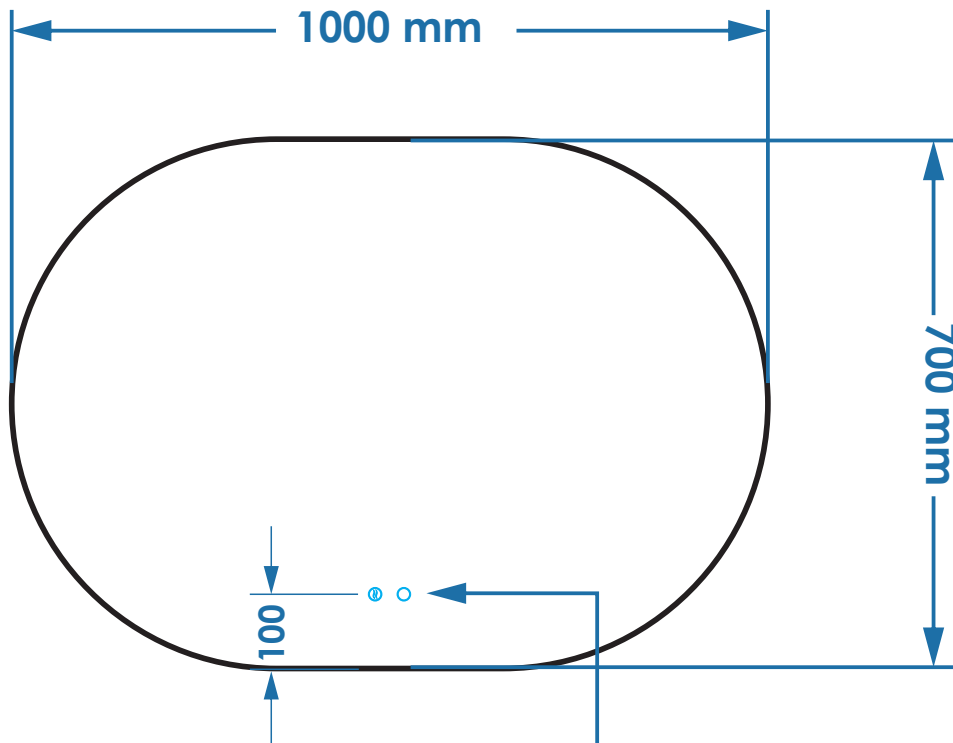
D

C

C

B

B



DIMENSIONS ARE IN CENTIMETERS (cm)
DO NOT SCALE DRAWING

SIGNATURE/REVISION:

A	NAME	SIGNATURE	DATE	PRODUCT:	MIRROR	TITLE: Orion Horizontal
	DRAWN			MATERIAL:	GLASS	
	CHK D			THICKNESS:	4mm	DIMENSIONS: 1000 x 700 mm A4
	APPV D			EDGING:	C / F edge	
	MFG			SANDBLASTING:	YES <input type="checkbox"/>	
A				SNESOR/SWICHTH:	TOUCH	SCALE: 1 : 10 SHEET 1 OF 1

4

2

1

4

2

1

F

F

E

E

D

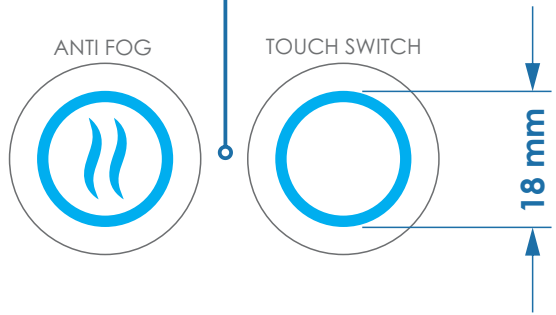
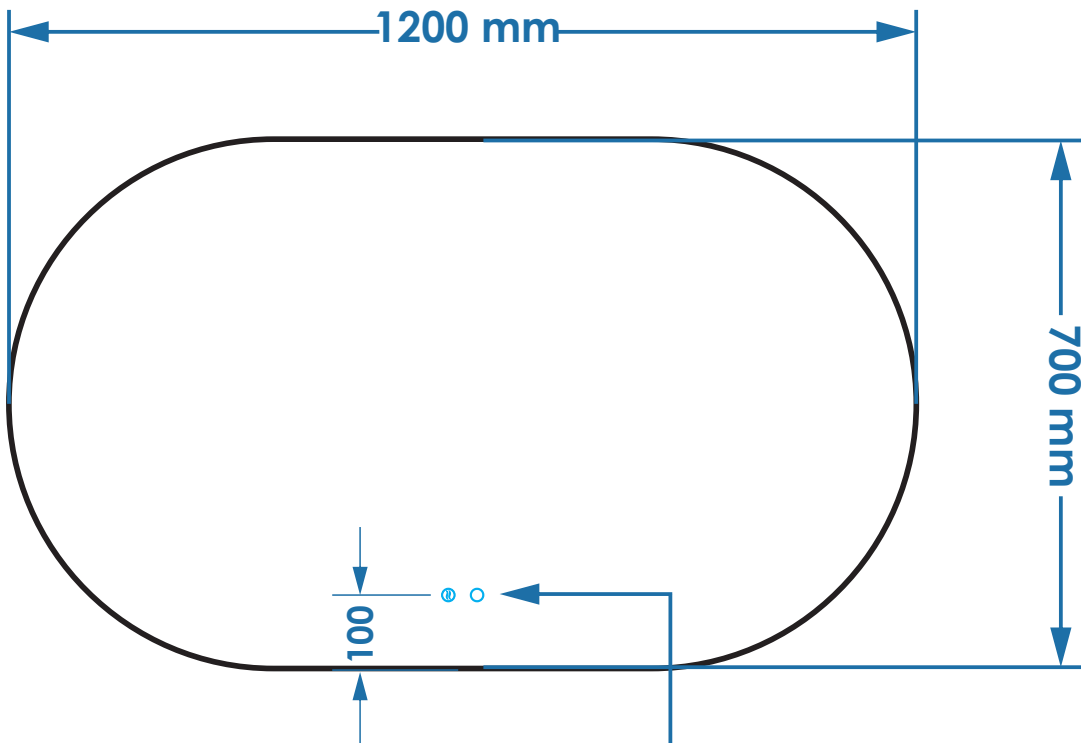
D

C

C

B

B



DIMENSIONS ARE IN
CENTIMETERS (cm)
DO NOT SCALE DRAWING

SIGNATURE/REVISION:

	NAME	SIGNATURE	DATE
DRAWN			
CHK D			
APPV D			
MFG			
A			

PRODUCT:	MIRROR
MATERIAL:	GLASS
THICKNESS:	4mm
EDGING:	C / F edge
SANDBLASTING:	YES <input type="checkbox"/>
SNESOR/SWICHTH:	TOUCH

TITLE:	Orion Horizontal	
DIMENSIONS:	1200 x 700 mm	A4
SCALE:	1 : 10	SHEET 1 OF 1

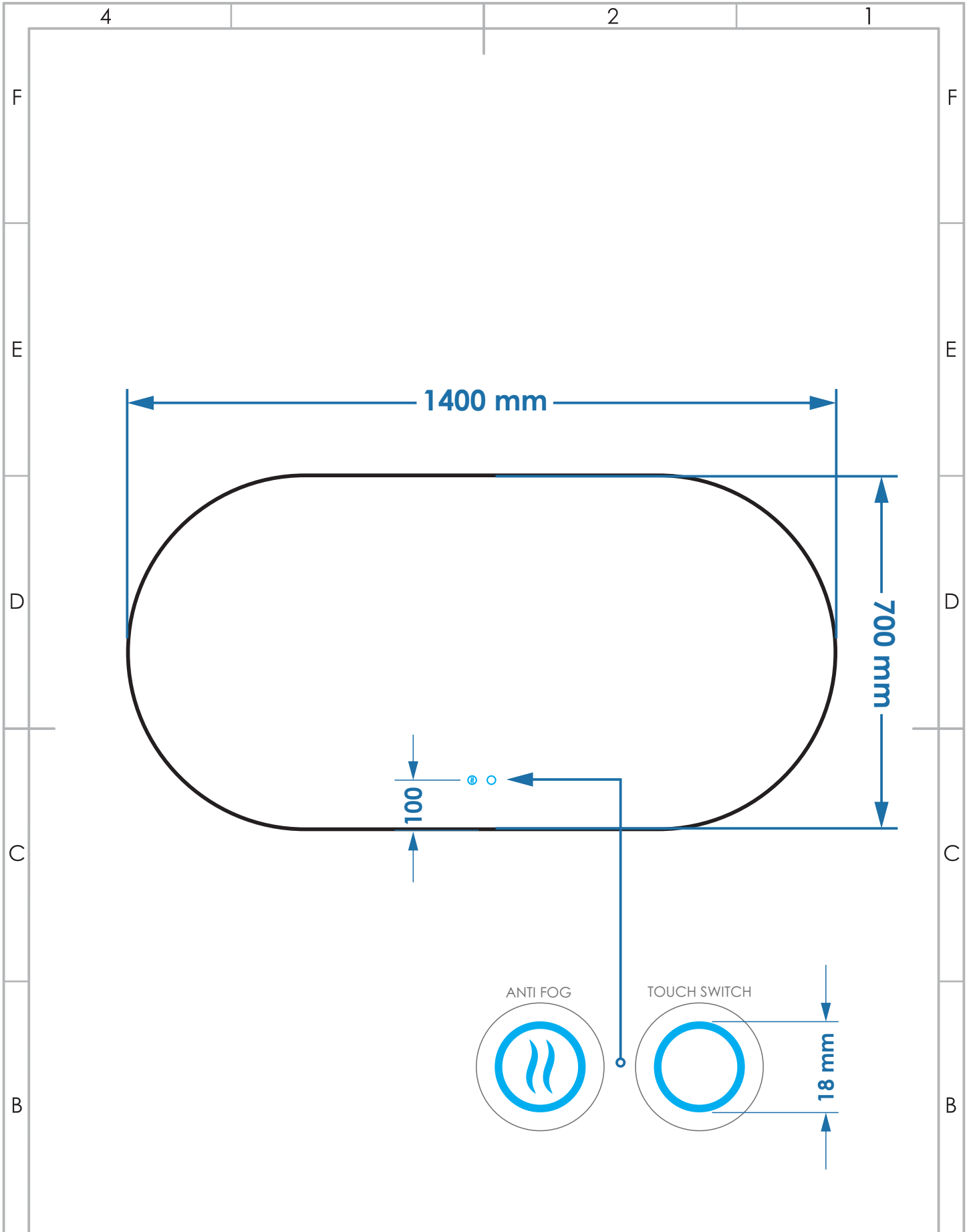
4

2

1

A

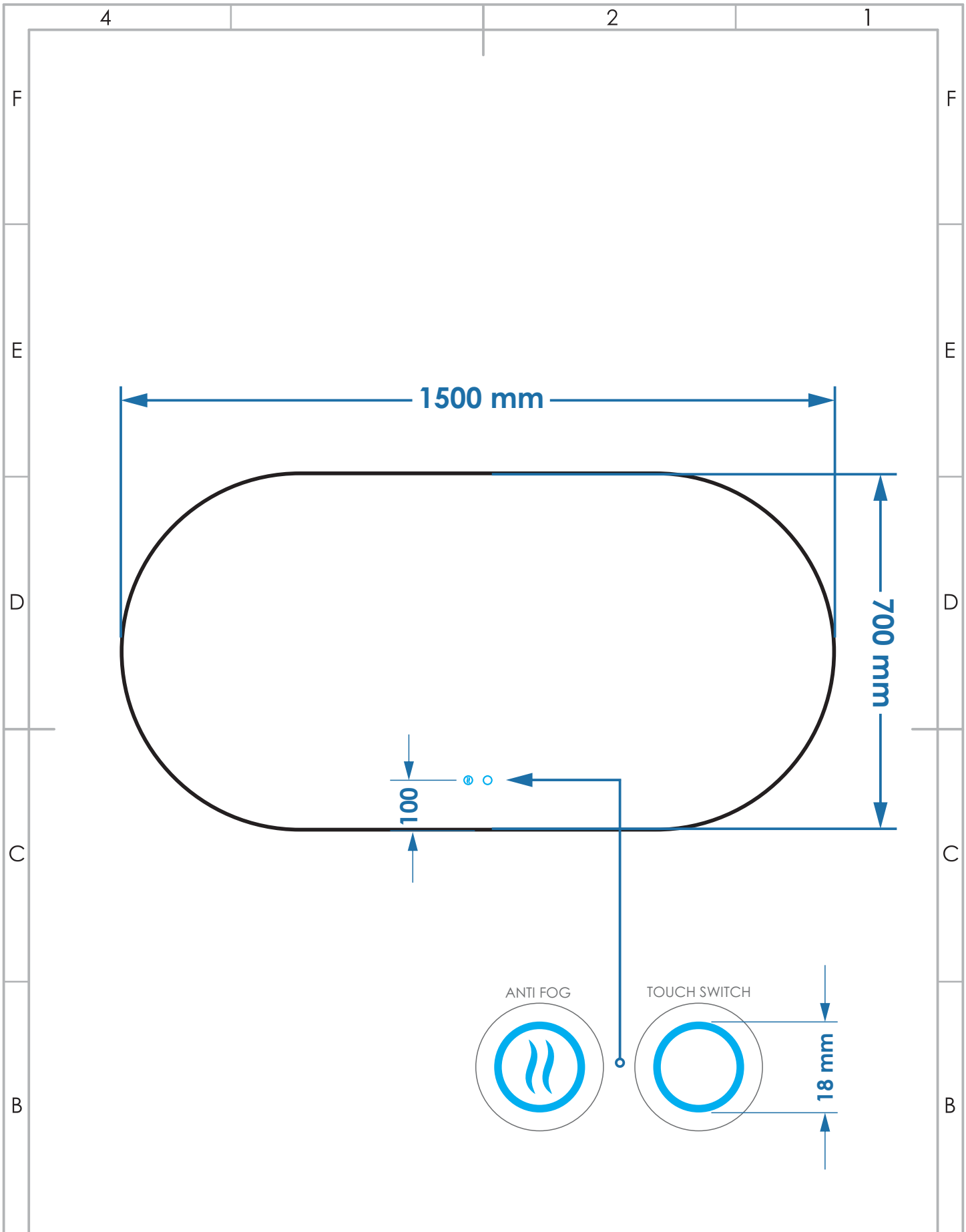
A



DIMENSIONS ARE IN CENTIMETERS (cm)
DO NOT SCALE DRAWING

SIGNATURE/REVISION:

A	NAME	SIGNATURE	DATE	PRODUCT:	MIRROR	TITLE: Orion Horizontal	DIMENSIONS: 1400 x 700 mm	A4	
	DRAWN			MATERIAL:	GLASS				
	CHK D			THICKNESS:	4mm				
	APPV D			EDGING:	C / F edge	SCALE:	1 : 10	SHEET	1 OF 1
	MFG			SANDBLASTING:	YES <input type="checkbox"/>				
	A			SNESOR/SWICHTH:	TOUCH				



DIMENSIONS ARE IN CENTIMETERS (cm)
DO NOT SCALE DRAWING

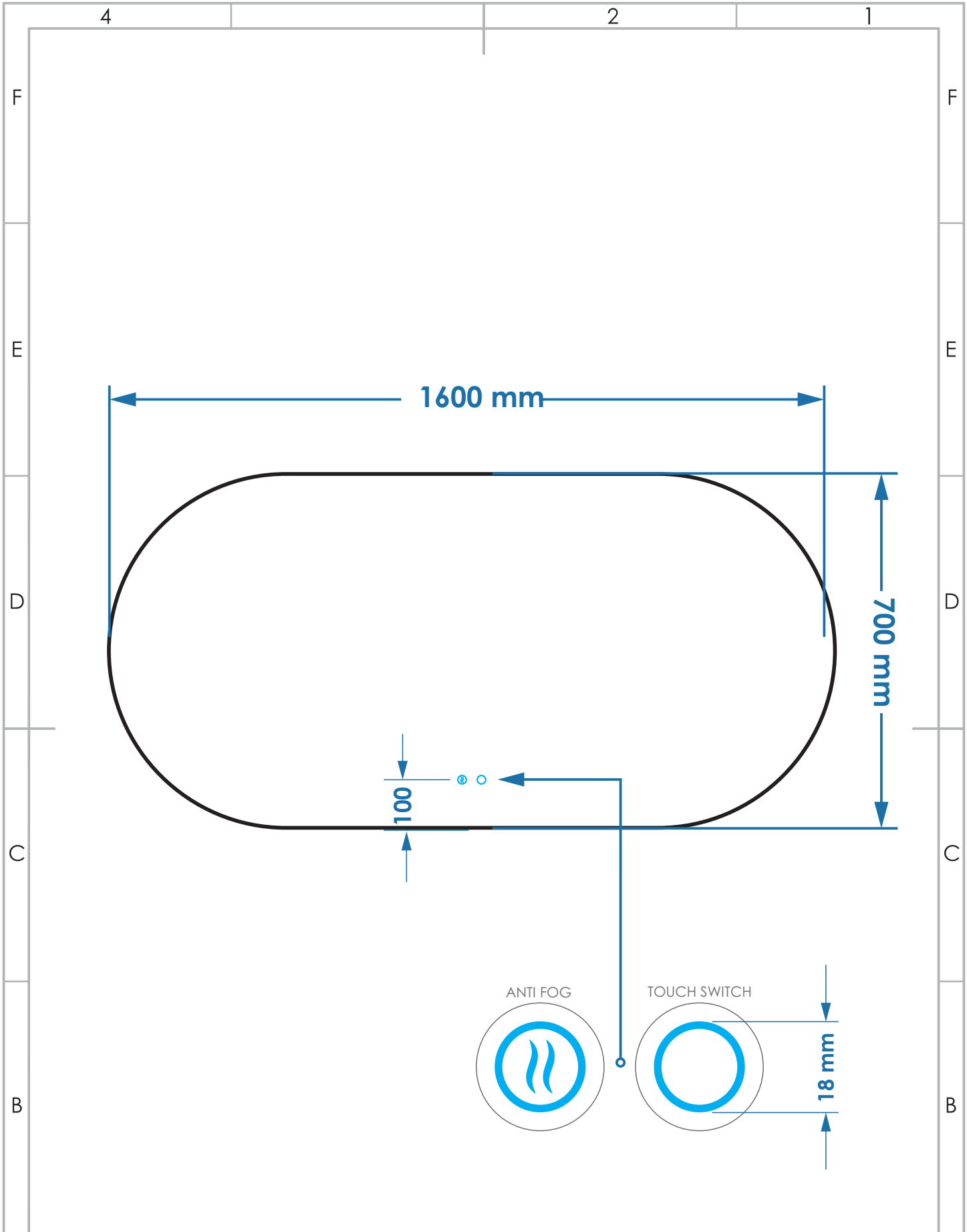
SIGNATURE/REVISION:

A	NAME	SIGNATURE	DATE	PRODUCT:	MIRROR	TITLE: Orion Horizontal	DIMENSIONS: 1500 x 700 mm	A4	
	DRAWN			MATERIAL:	GLASS				
	CHK D			THICKNESS:	4mm				
	APPV D			EDGING:	C / F edge	SCALE:	1 : 10	SHEET	1 OF 1
	MFG			SANDBLASTING:	YES <input type="checkbox"/>	SNESOR/SWICHTH:	TOUCH		

4

2

1



DIMENSIONS ARE IN CENTIMETERS (cm)
DO NOT SCALE DRAWING

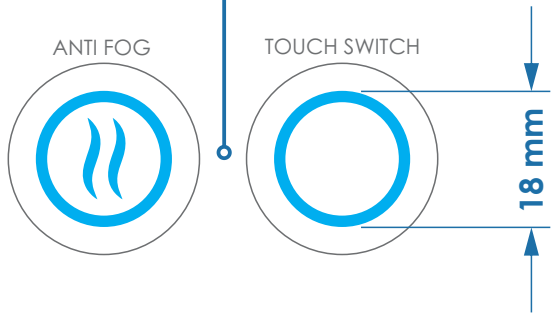
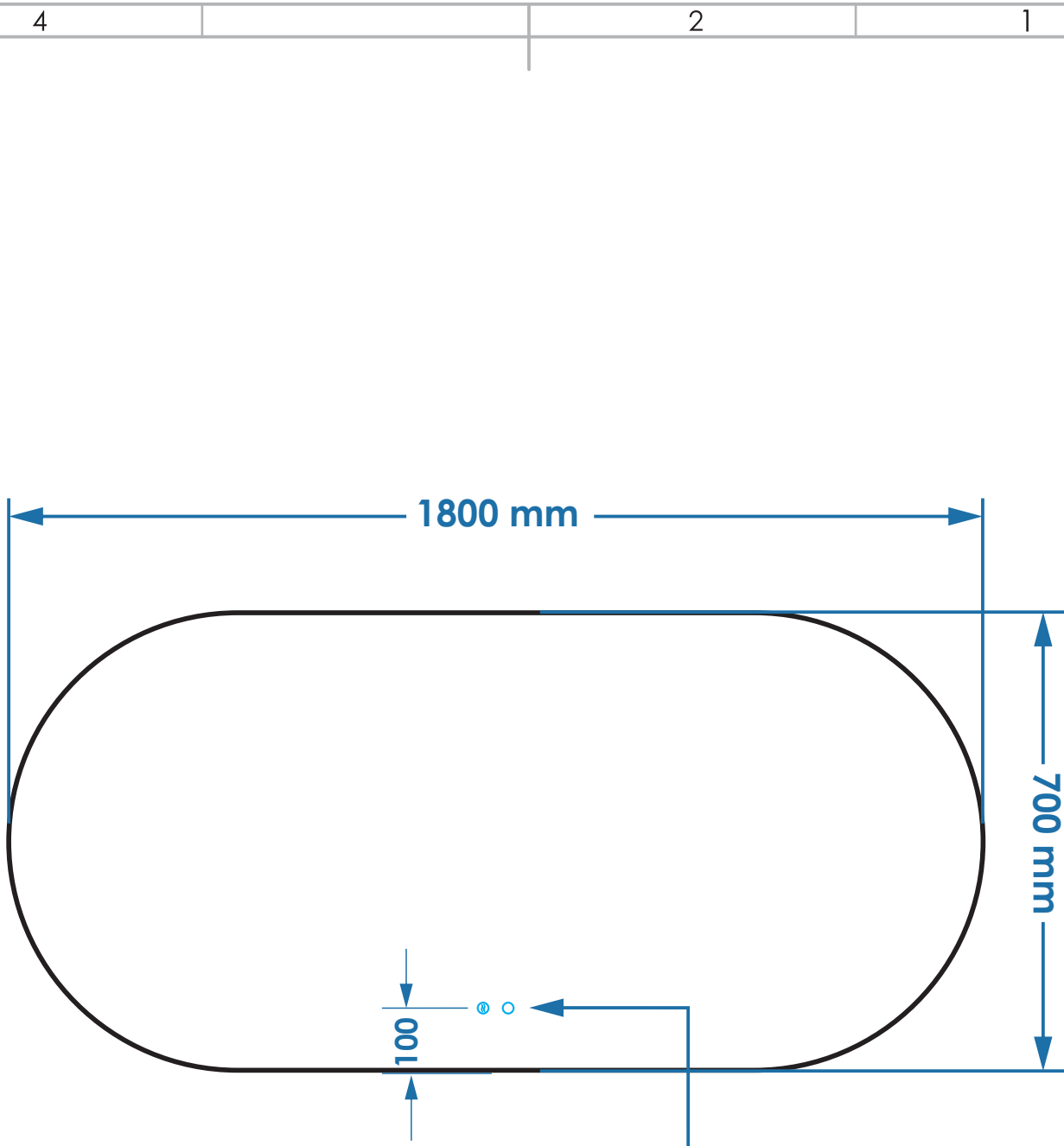
SIGNATURE/REVISION:

A	NAME	SIGNATURE	DATE	PRODUCT:	MIRROR	TITLE: Orion Horizontal
	DRAWN			MATERIAL:	GLASS	
	CHK D			THICKNESS:	4mm	
	APPV D			EDGING:	C / F edge	DIMENSIONS:
	MFG			SANDBLASTING:	YES <input type="checkbox"/>	1600 x 700 mm
	A			SNESOR/SWICHTH:	TOUCH	SCALE: 1 : 10
						SHEET 1 OF 1

4

2

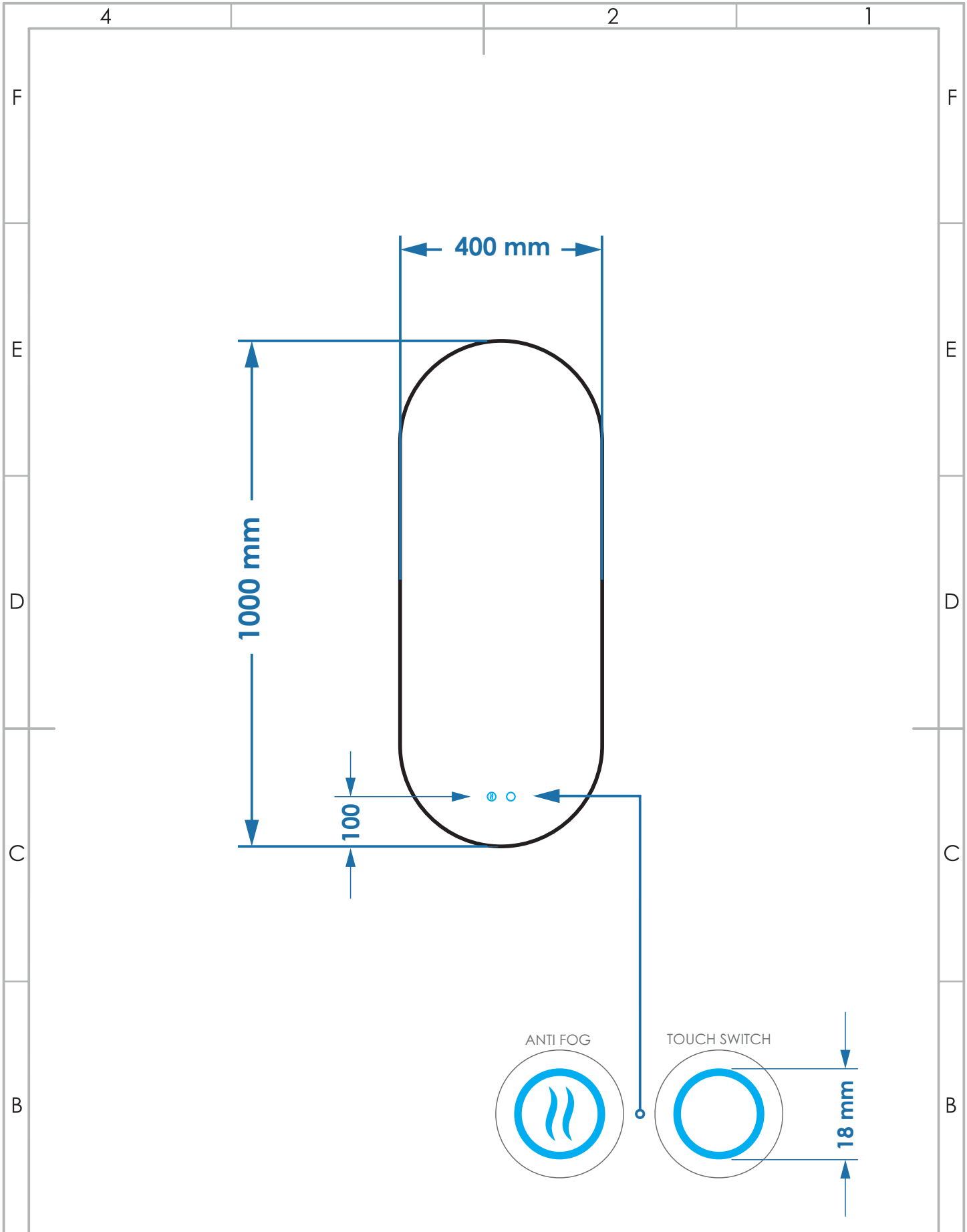
1



DIMENSIONS ARE IN CENTIMETERS (cm)
DO NOT SCALE DRAWING

SIGNATURE/REVISION:

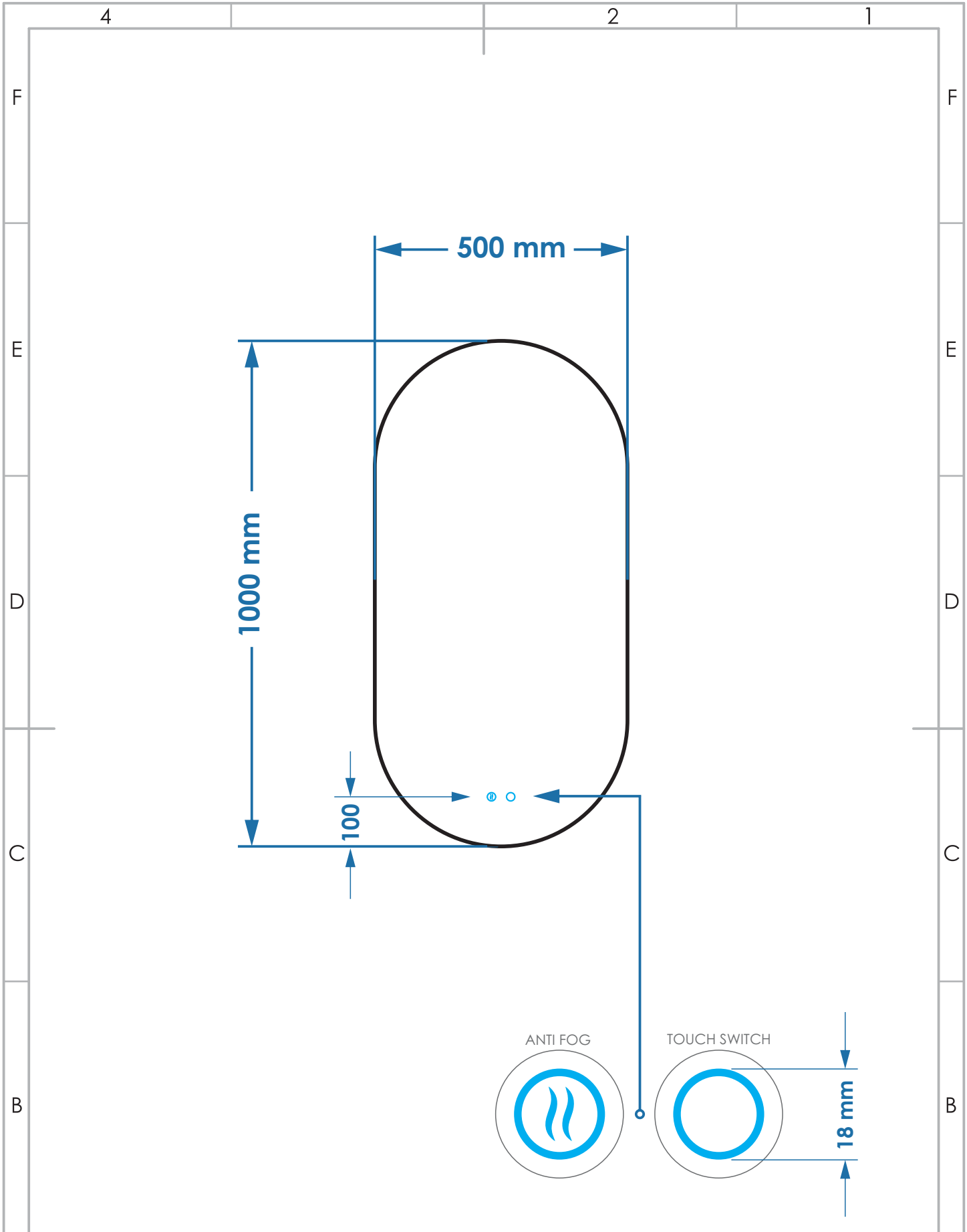
A	NAME	SIGNATURE	DATE	PRODUCT:	MIRROR	TITLE: Orion Horizontal
	DRAWN			MATERIAL:	GLASS	
	CHK D			THICKNESS:	4mm	
	APPV D			EDGING:	C / F edge	
	MFG			SANDBLASTING:	YES <input type="checkbox"/>	
A				SNESOR/SWITCH:	TOUCH	DIMESIONS: 1800 x 700 mm
						A4
					SCALE: 1 : 10	SHEET 1 OF 1



DIMENSIONS ARE IN CENTIMETERS (cm)
DO NOT SCALE DRAWING

SIGNATURE/REVISION:

			NAME	SIGNATURE	DATE	PRODUCT:	MIRROR	TITLE:
A	DRAWN					MATERIAL:	GLASS	Orion Vertical
	CHK D					THICKNESS:	4mm	
	APPV D					EDGING:	C / F edge	DIMENSIONS:
	MFG					SANDBLASTING:	YES <input type="checkbox"/>	400 x 1000 mm
	A					SNESOR/SWICHTH:	TOUCH	A4
						SCALE:	1 : 10	SHEET 1 OF 1



DIMENSIONS ARE IN CENTIMETERS (cm)
DO NOT SCALE DRAWING

SIGNATURE/REVISION:

			NAME	SIGNATURE	DATE	PRODUCT:	MIRROR	TITLE:		
A	DRAWN					MATERIAL:	GLASS	Orion Vertical		
	CHK D					THICKNESS:	4mm			
	APPV D					EDGING:	C / F edge	DIMENSIONS:	500 x 1000 mm	
	MFG					SANDBLASTING:	YES <input type="checkbox"/>			
	A					SNESOR/SWICHTH:	TOUCH	SCALE:	1 : 10	SHEET