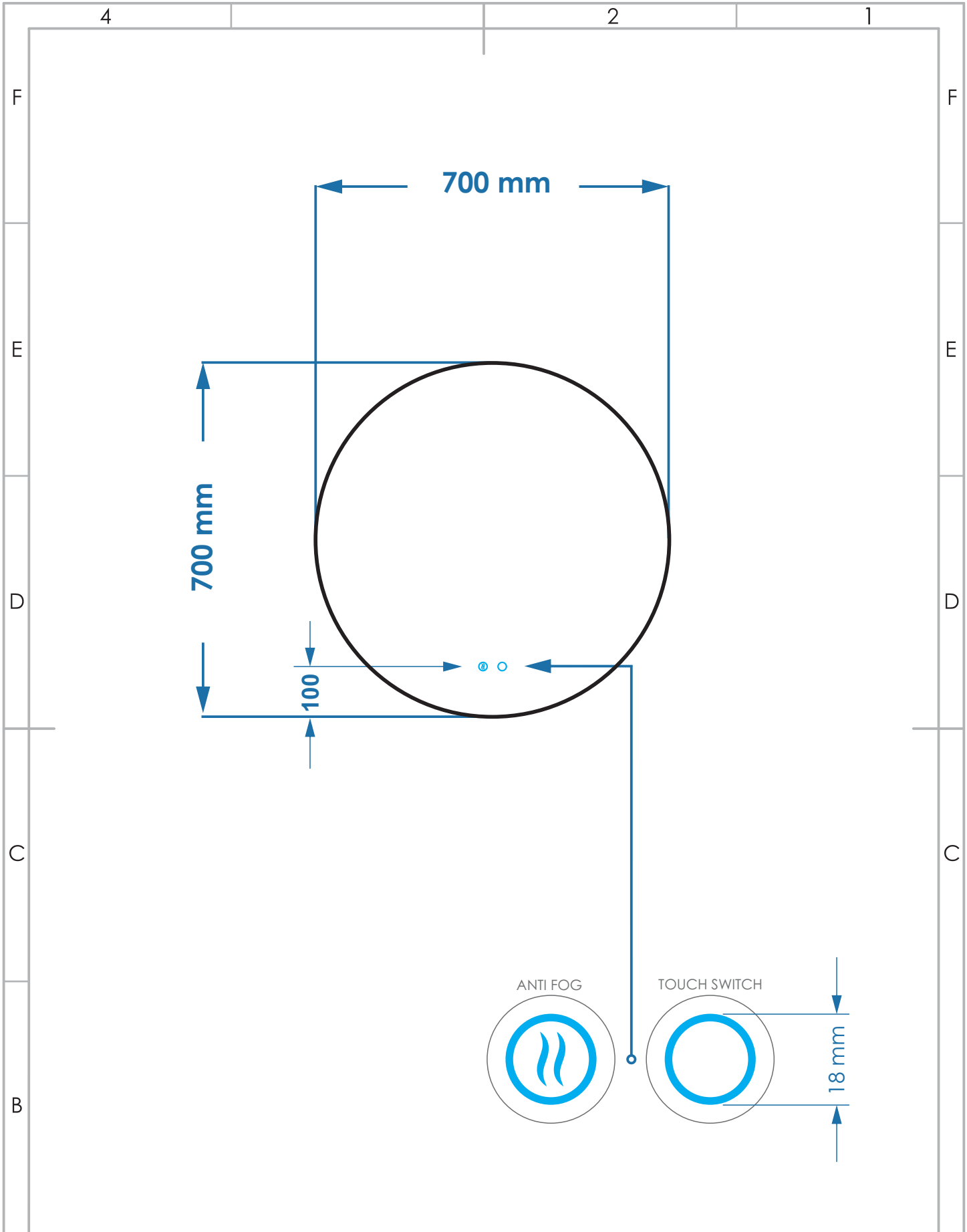


DIMENSIONS ARE IN
MILIMETERS (mm)
DO NOT SCALE DRAWING

SIGNATURE/REVISION:

			NAME	SIGNATURE	DATE	PRODUCT:	MIRROR	TITLE:	
A	DRAWN					MATERIAL:	GLASS	Oko	
	CHK D					THICKNESS:	4mm		
	APPV D					EDGING:	C / F edge	DIMENSIONS: 600 x 600 mm	
	MFG					SANDBLASTING:	YES <input checked="" type="checkbox"/>	A4	
	A					SNESOR/SWICHTH:	TOUCH	SCALE: 1 : 10	SHEET 1 OF 1



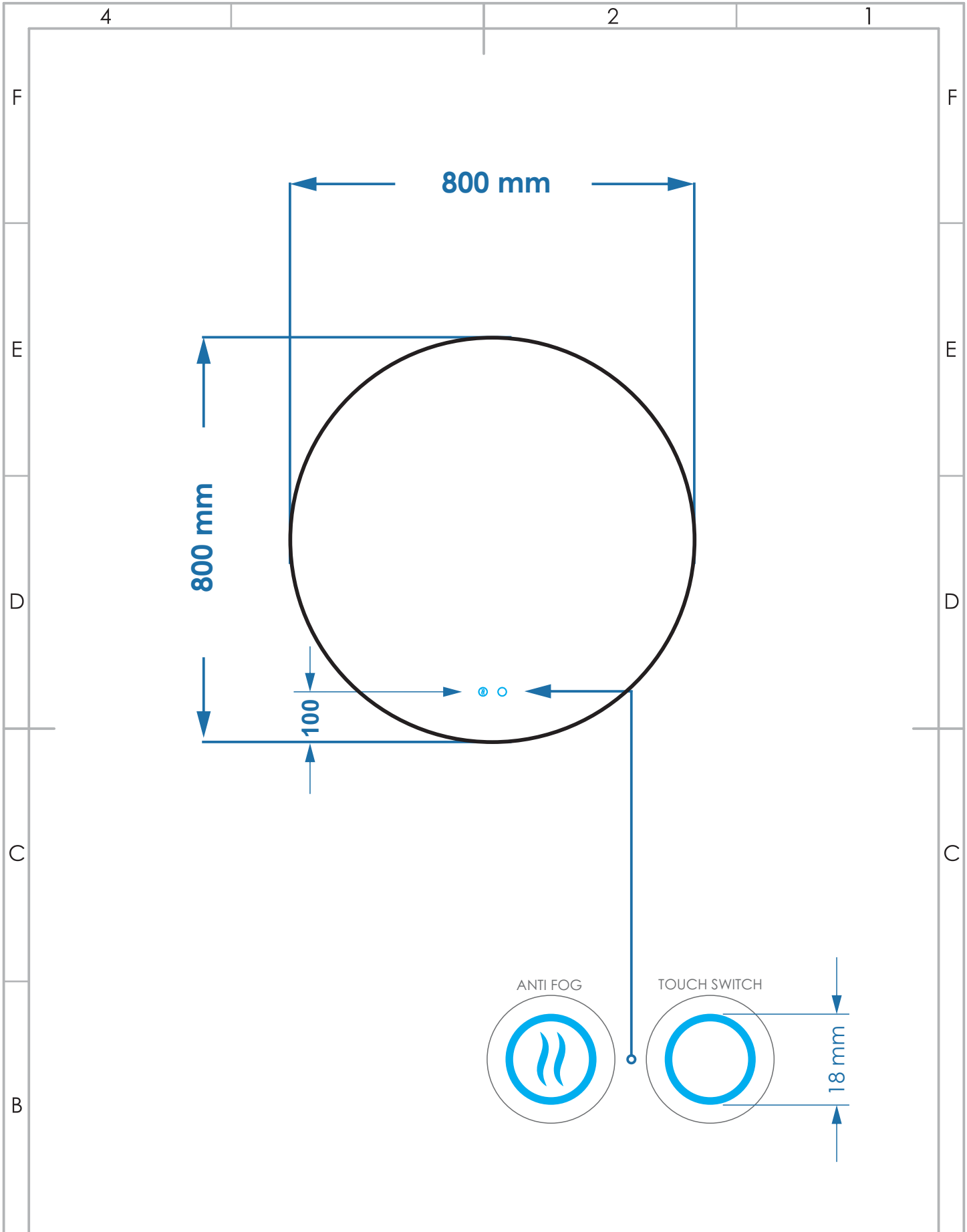
DIMENSIONS ARE IN
MILIMETERS (mm)
DO NOT SCALE DRAWING

SIGNATURE/REVISION:

	NAME	SIGNATURE	DATE
DRAWN			
CHK D			
APPV D			
MFG			
A			

PRODUCT:	MIRROR
MATERIAL:	GLASS
THICKNESS:	4mm
EDGING:	C / F edge
SANDBLASTING:	YES <input checked="" type="checkbox"/>
SNESOR/SWICHTH:	TOUCH

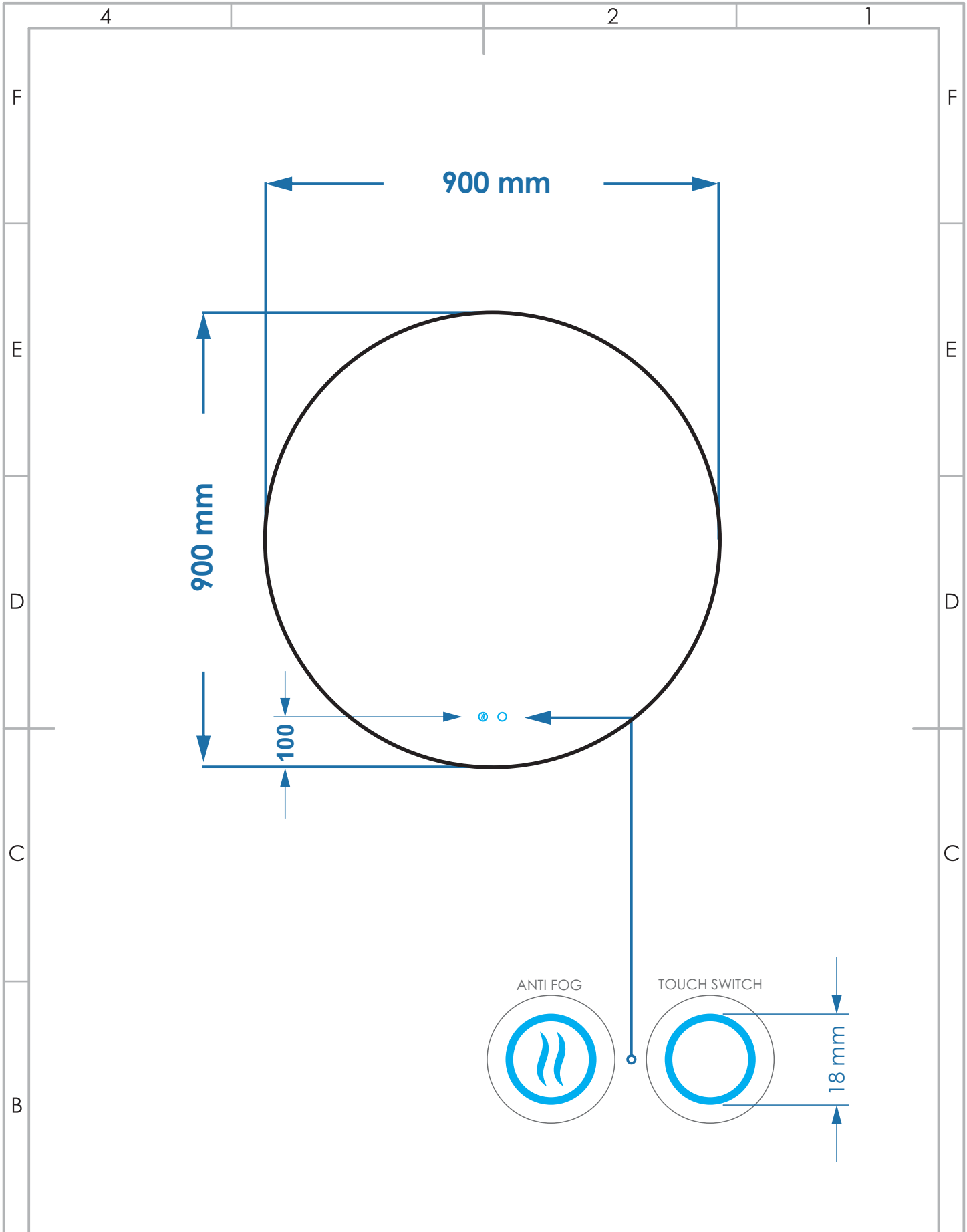
TITLE:	Oko	
DIMESIONS:	700 x 700 mm	A4
SCALE:	1 : 10	SHEET 1 OF 1



DIMENSIONS ARE IN MILIMETERS (mm)
DO NOT SCALE DRAWING

SIGNATURE/REVISION:

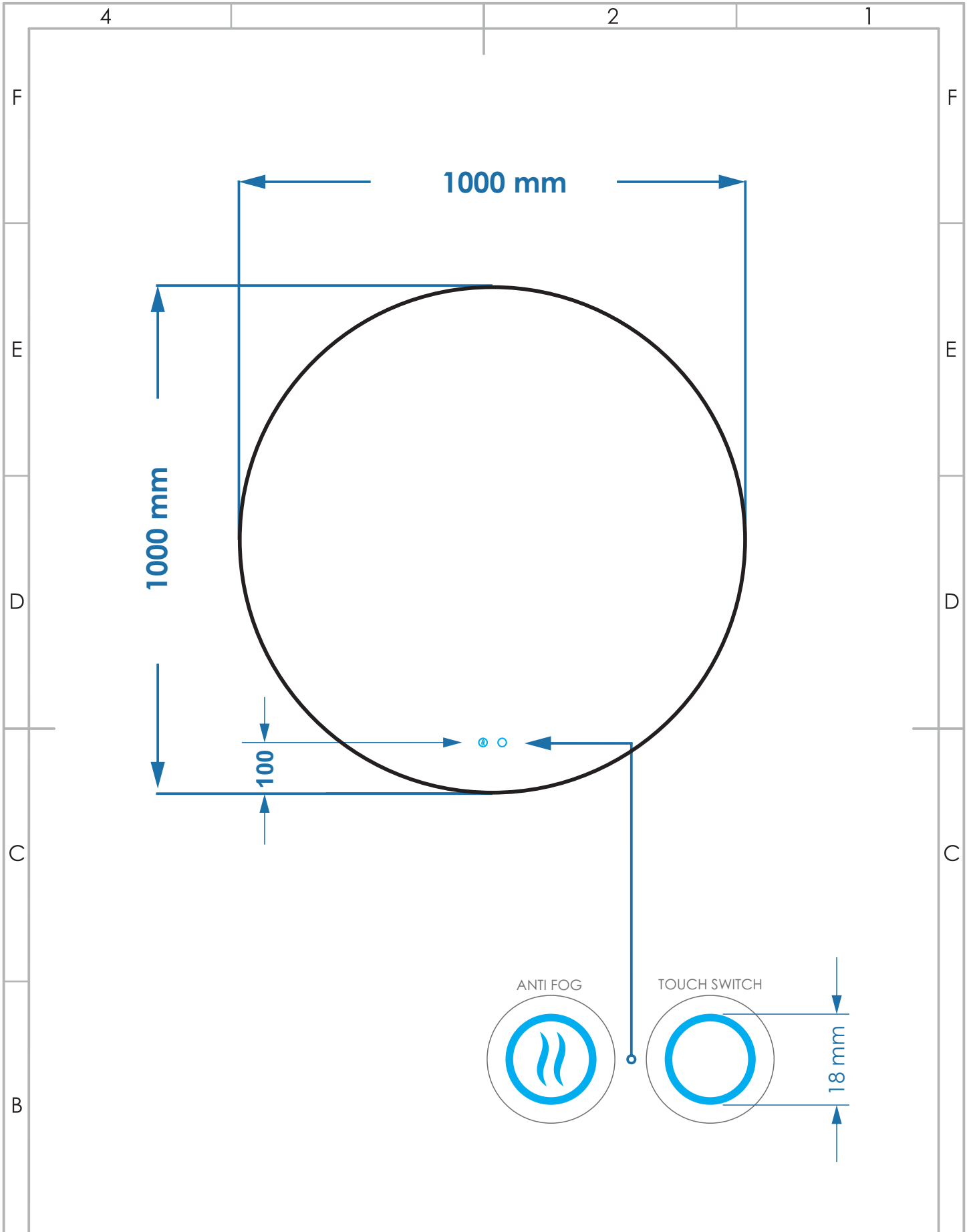
			NAME	SIGNATURE	DATE	PRODUCT:	MIRROR	TITLE:		
A	DRAWN					MATERIAL:	GLASS	Oko		
	CHK D					THICKNESS:	4mm			
	APPV D					EDGING:	C / F edge	DIMENSIONS:	800 x 800 mm	
	MFG					SANDBLASTING:	YES <input checked="" type="checkbox"/>		A4	
	A					SNESOR/SWICHTH:	TOUCH	SCALE:	1 : 10	SHEET



DIMENSIONS ARE IN
MILIMETERS (mm)
DO NOT SCALE DRAWING

SIGNATURE/REVISION:

A	NAME	SIGNATURE	DATE	PRODUCT:	MIRROR	TITLE: Oko		
	DRAWN			MATERIAL:	GLASS			
	CHK D			THICKNESS:	4mm			
	APPV D			EDGING:	C / F edge	DIMENSIONS: 900 x 900 mm		
	MFG			SANDBLASTING:	YES <input checked="" type="checkbox"/>			
A				SNESOR/SWICHTH:	TOUCH	SCALE: 1 : 10	SHEET 1 OF 1	A4



DIMENSIONS ARE IN
MILIMETERS (mm)
DO NOT SCALE DRAWING

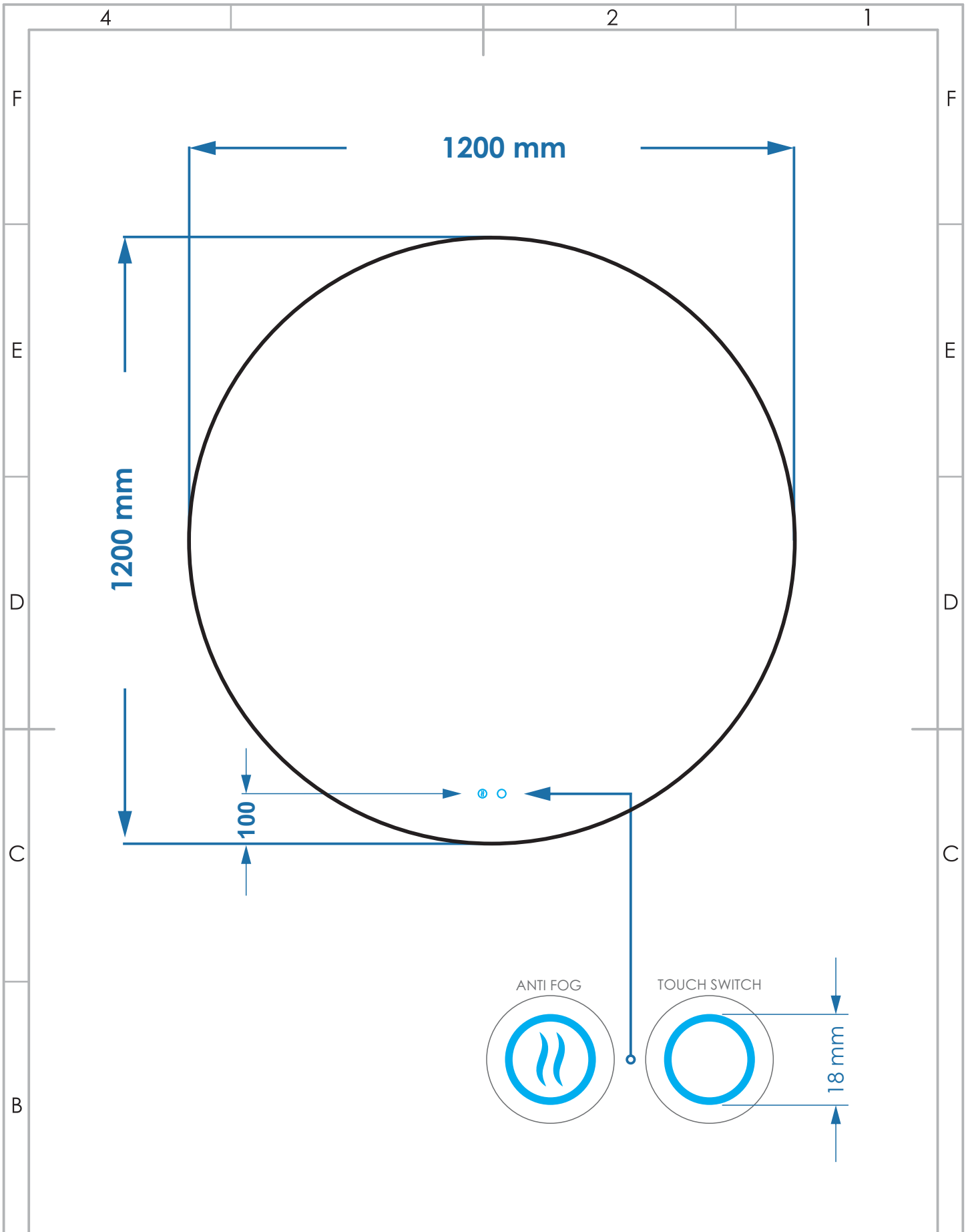
SIGNATURE/REVISION:

A	NAME	SIGNATURE	DATE	PRODUCT:	MIRROR	TITLE: <h1>Oko</h1>	DIMENSIONS: 1000 x 1000 mm	A4	
	DRAWN			MATERIAL:	GLASS				
	CHK D			THICKNESS:	4mm				
	APPV D			EDGING:	C / F edge	SCALE:	1 : 10	SHEET	1 OF 1
	MFG			SANDBLASTING:	YES <input checked="" type="checkbox"/>	SENSOR/SWITCH:	TOUCH		
A									

4

2

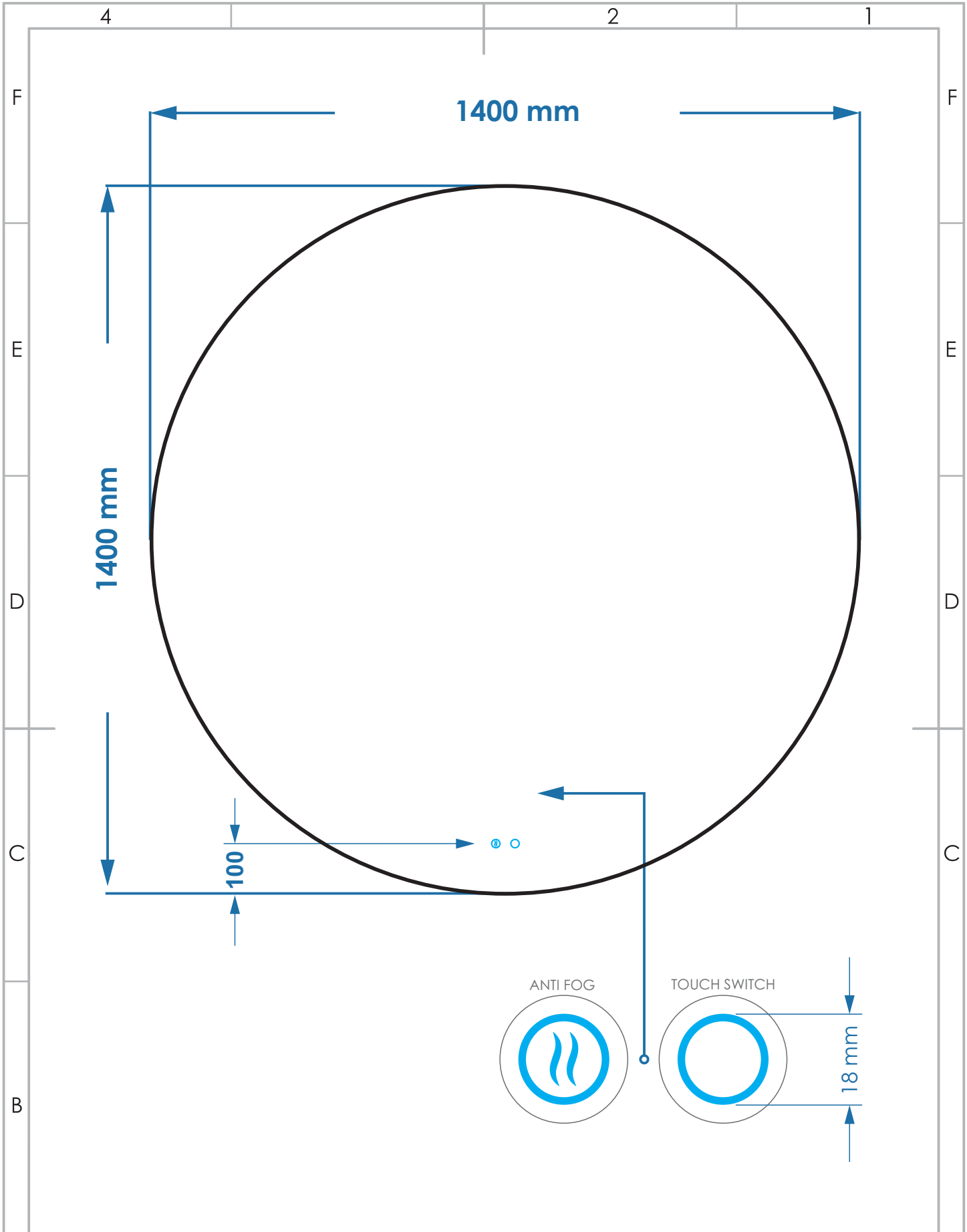
1



DIMENSIONS ARE IN
MILIMETERS (mm)
DO NOT SCALE DRAWING

SIGNATURE/REVISION:

		NAME	SIGNATURE	DATE	PRODUCT:	MIRROR	TITLE:		
A	DRAWN				MATERIAL:	GLASS	Oko		
	CHK D				THICKNESS:	4mm			
	APPV D				EDGING:	C / F edge	DIMENSIONS:	1200 x 1200 mm	
	MFG				SANDBLASTING:	YES <input checked="" type="checkbox"/>	A4		
	A				SNESOR/SWICHTH:	TOUCH	SCALE:	1 : 10	SHEET



DIMENSIONS ARE IN
MILIMETERS (mm)
DO NOT SCALE DRAWING

SIGNATURE/REVISION:

		NAME	SIGNATURE	DATE	PRODUCT:	MIRROR	TITLE:		
A	DRAWN				MATERIAL:	GLASS	Oko		
	CHK D				THICKNESS:	4mm			
	APPV D				EDGING:	C / F edge	DIMENSIONS:	1400 x 1400 mm	
	MFG				SANDBLASTING:	YES <input checked="" type="checkbox"/>	A4		
	A				SNESOR/SWICHTH:	TOUCH	SCALE:	1 : 10	SHEET

4

2

1