

4

2

1

F

F

E

E

D

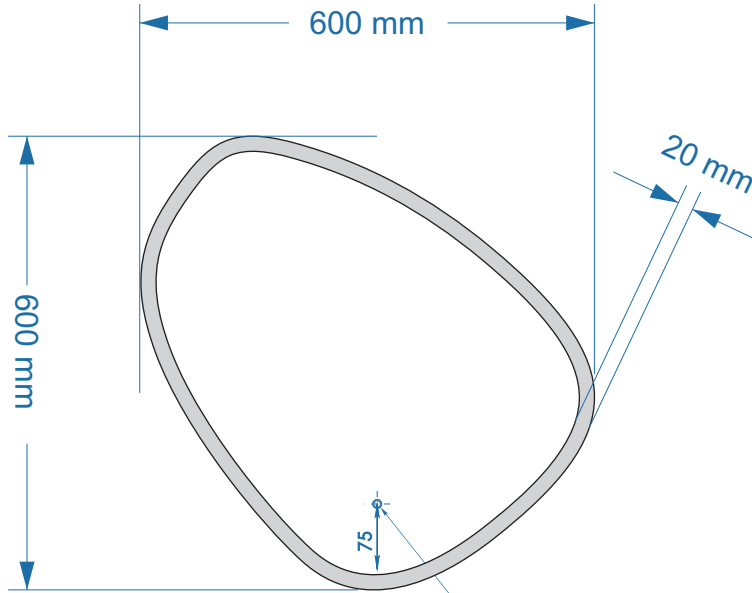
D

C

C

B

B



DIMENSIONS ARE IN
CENTIMETERS (cm)
DO NOT SCALE DRAWING

SIGNATURE/REVISION:

	NAME	SIGNATURE	DATE
DRAWN			
CHK D			
APPV D			
MFG			
A			

PRODUCT:	MIRROR
MATERIAL:	GLASS
THICKNESS:	4mm
EDGING:	C / F edge
SANDBLASTING:	YES <input type="checkbox"/>
SNESOR/SWICHTH:	TOUCH

TITLE:	Fury lux	
DIMESIONS:	600 x 600 mm	A4
SCALE:	1 : 10	SHEET 1 OF 1

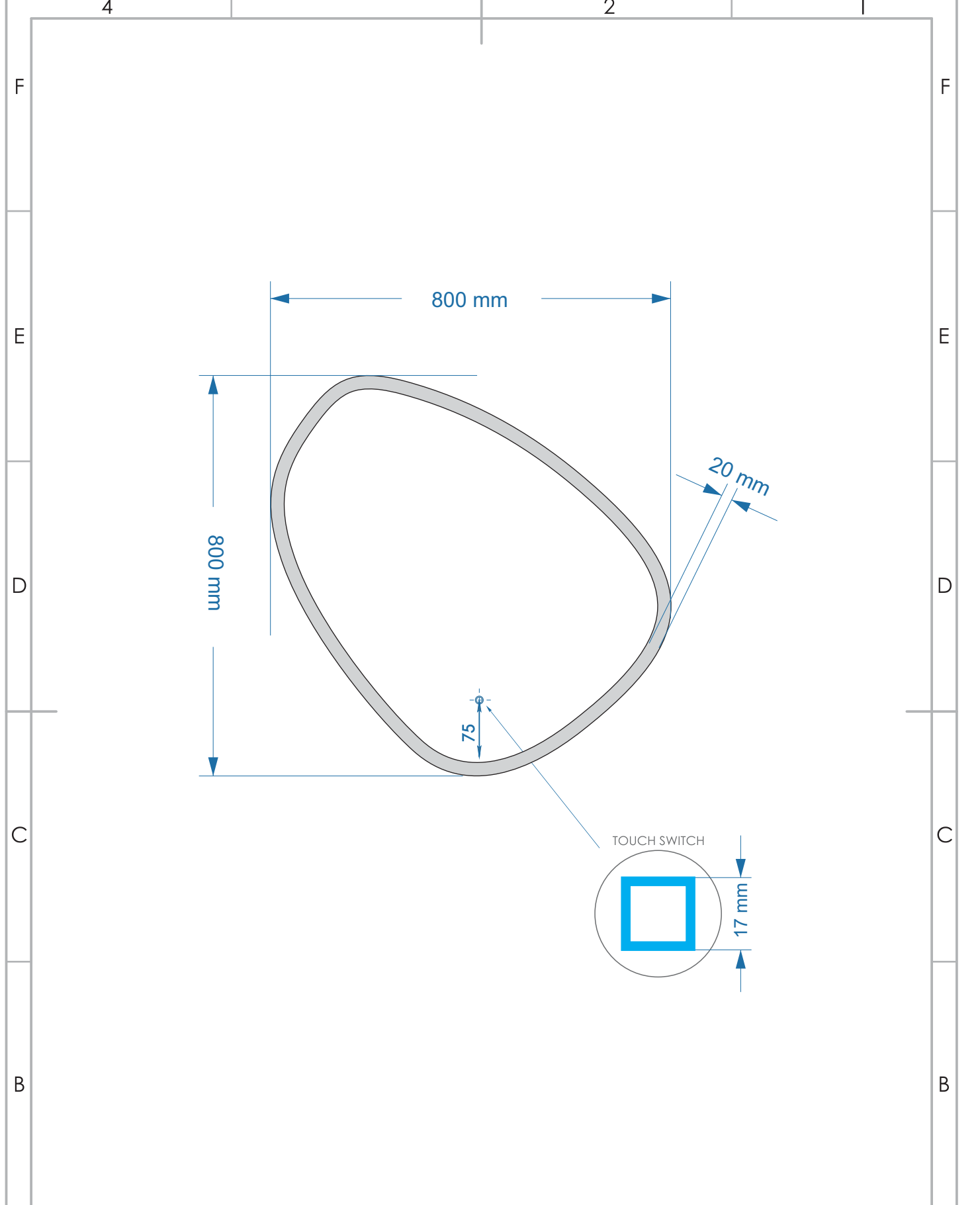
4

2

1

A

A



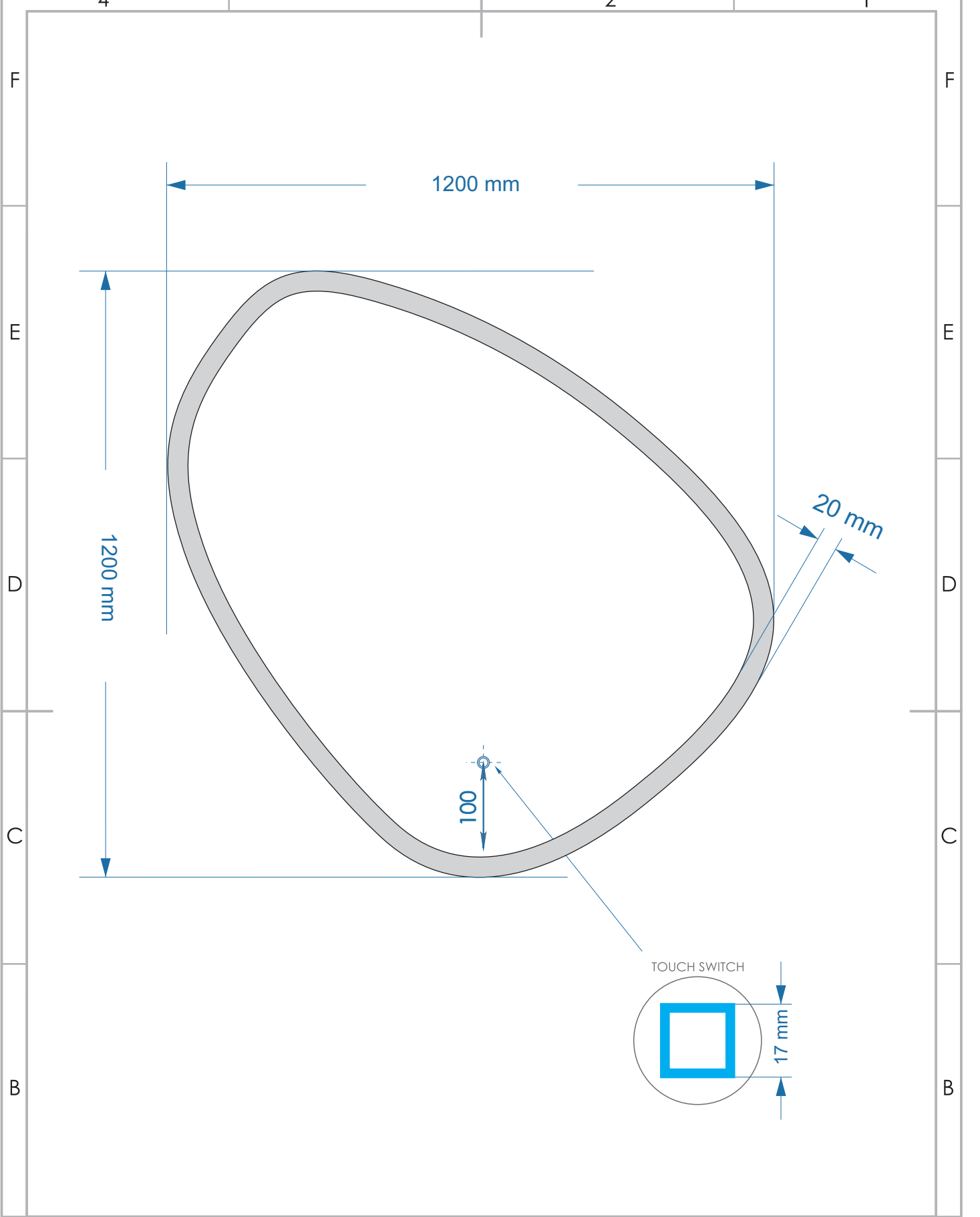
DIMENSIONS ARE IN CENTIMETERS (cm)
DO NOT SCALE DRAWING

SIGNATURE/REVISION:

	NAME	SIGNATURE	DATE
DRAWN			
CHK D			
APPV D			
MFG			
A			

PRODUCT:	MIRROR
MATERIAL:	GLASS
THICKNESS:	4mm
EDGING:	C / F edge
SANDBLASTING:	YES <input type="checkbox"/>
SNESOR/SWICHTH:	TOUCH

TITLE:	Fury lux	
DIMESIONS:	800 x 800 mm	A4
SCALE:	1 : 10	SHEET 1 OF 1



DIMENSIONS ARE IN CENTIMETERS (cm)
DO NOT SCALE DRAWING

SIGNATURE/REVISION:

NAME	SIGNATURE	DATE	PRODUCT:	MIRROR	TITLE:
DRAWN			MATERIAL:	GLASS	Fury lux
CHK D			THICKNESS:	4mm	
APPV D			EDGING:	C / F edge	DIMENSIONS: 1200 x 1200 mm A4
MFG			SANDBLASTING:	YES <input type="checkbox"/>	
A			SNESOR/SWITCH:	TOUCH	SCALE: 1 : 10 SHEET 1 OF 1