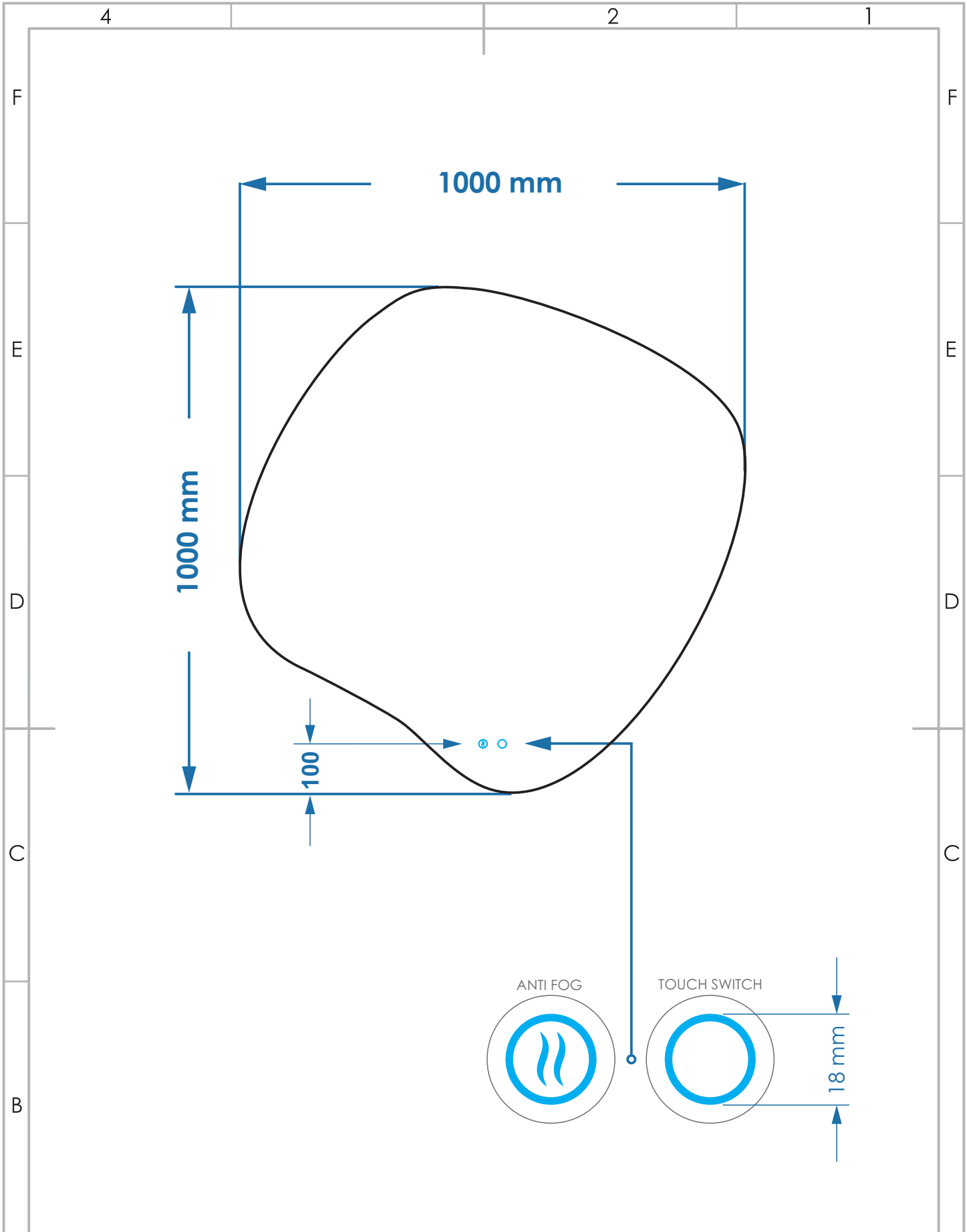


DIMENSIONS ARE IN MILIMETERS (mm)
DO NOT SCALE DRAWING

SIGNATURE/REVISION:

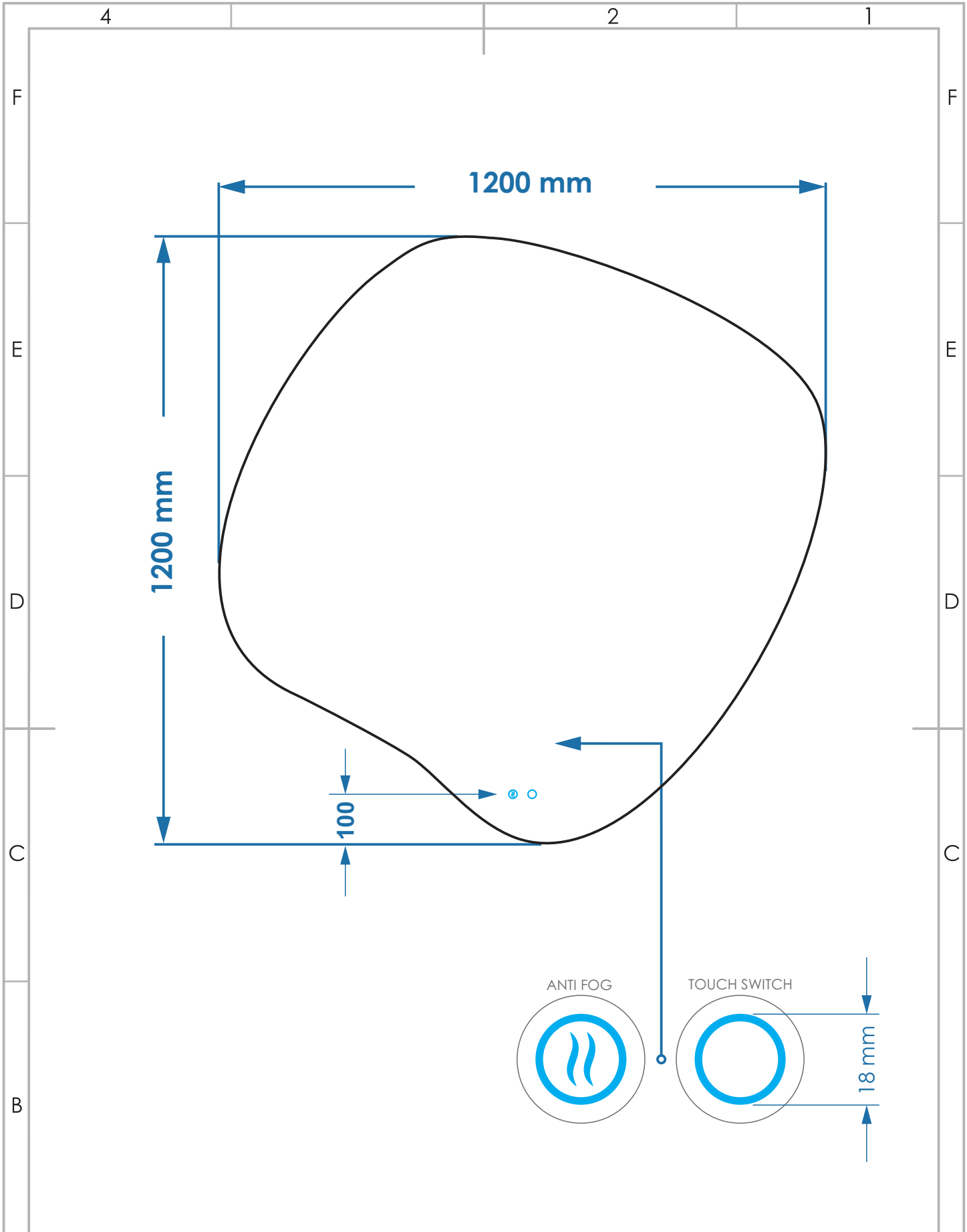
A	NAME	SIGNATURE	DATE	PRODUCT:	MIRROR	TITLE: <h1>Clio</h1>	DIMENSIONS: 800 x 800 mm	A4	
	DRAWN			MATERIAL:	GLASS				
	CHK D			THICKNESS:	4mm				
	APPV D			EDGING:	C / F edge	SCALE:	1 : 10	SHEET	1 OF 1
	MFG			SANDBLASTING:	YES <input checked="" type="checkbox"/>	SNESOR/SWICHTH:	TOUCH		



DIMENSIONS ARE IN
MILIMETERS (mm)
DO NOT SCALE DRAWING

SIGNATURE/REVISION:

A	NAME	SIGNATURE	DATE	PRODUCT:	MIRROR	TITLE: <h1>Clio</h1>	DIMENSIONS: 1000 x 1000 mm	A4	
	DRAWN			MATERIAL:	GLASS				
	CHK D			THICKNESS:	4mm				
	APPV D			EDGING:	C / F edge	SCALE:	1 : 10	SHEET	1 OF 1
	MFG			SANDBLASTING:	YES <input checked="" type="checkbox"/>	SNESOR/SWICHTH:	TOUCH		



DIMENSIONS ARE IN MILIMETERS (mm)
DO NOT SCALE DRAWING

SIGNATURE/REVISION:

A	NAME	SIGNATURE	DATE	PRODUCT:	MIRROR	TITLE: <h1>Clio</h1>
	DRAWN			MATERIAL:	GLASS	
	CHK D			THICKNESS:	4mm	
	APPV D			EDGING:	C / F edge	DIMENSIONS: 1200 x 1200 mm A4
	MFG			SANDBLASTING:	YES <input checked="" type="checkbox"/>	
A				SNESOR/SWICHTH:	TOUCH	SCALE: 1 : 10 SHEET 1 OF 1