

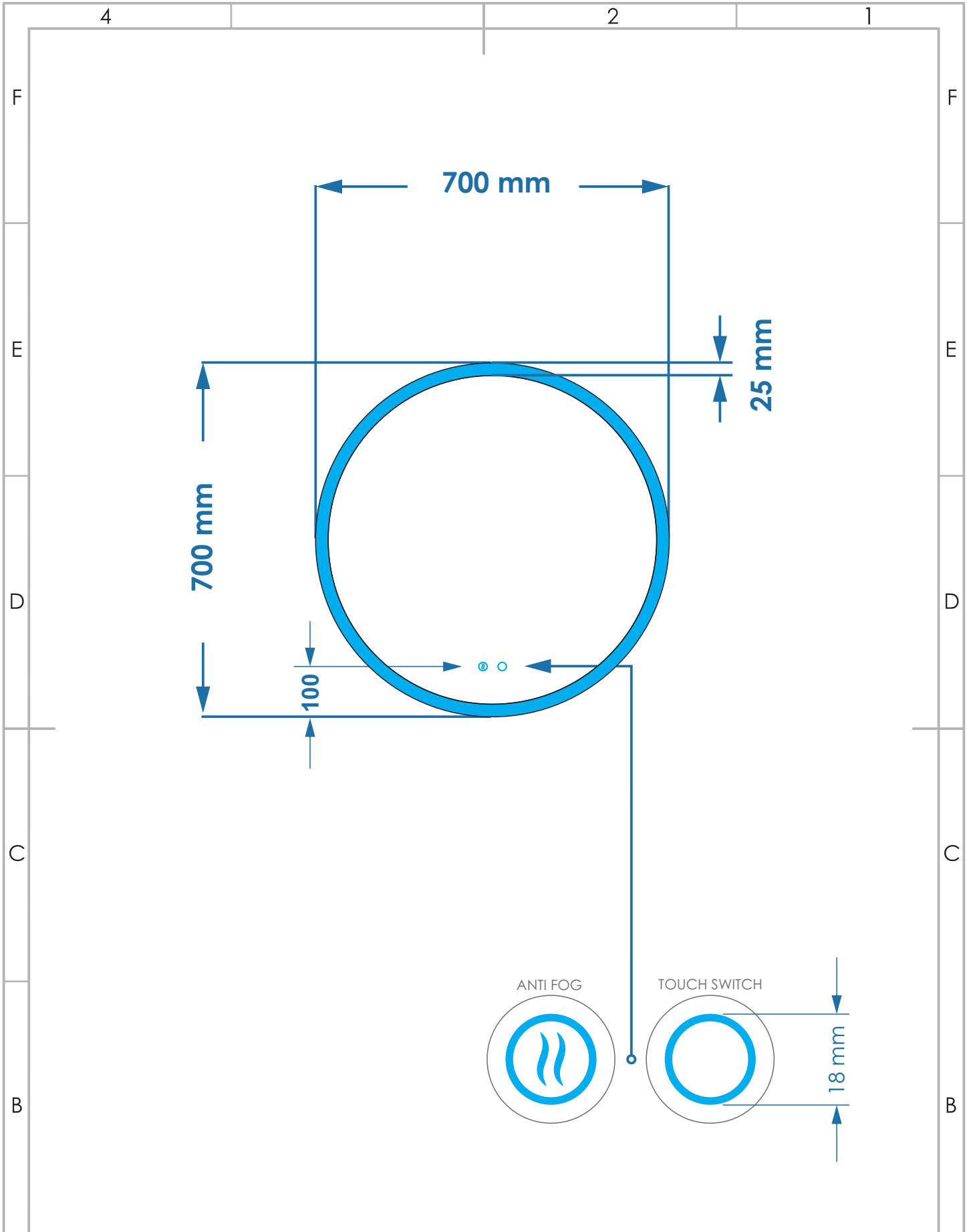
DIMENSIONS ARE IN
MILIMETERS (mm)
DO NOT SCALE DRAWING

SIGNATURE/REVISION:

	NAME	SIGNATURE	DATE
DRAWN			
CHK D			
APPV D			
MFG			
A			

PRODUCT:	MIRROR
MATERIAL:	GLASS
THICKNESS:	4mm
EDGING:	C / F edge
SANDBLASTING:	YES <input checked="" type="checkbox"/>
SNESOR/SWICHTH:	TOUCH

TITLE:	Circum	
DIMESIONS:	600 x 600 mm	A4
SCALE:	1 : 10	SHEET 1 OF 1



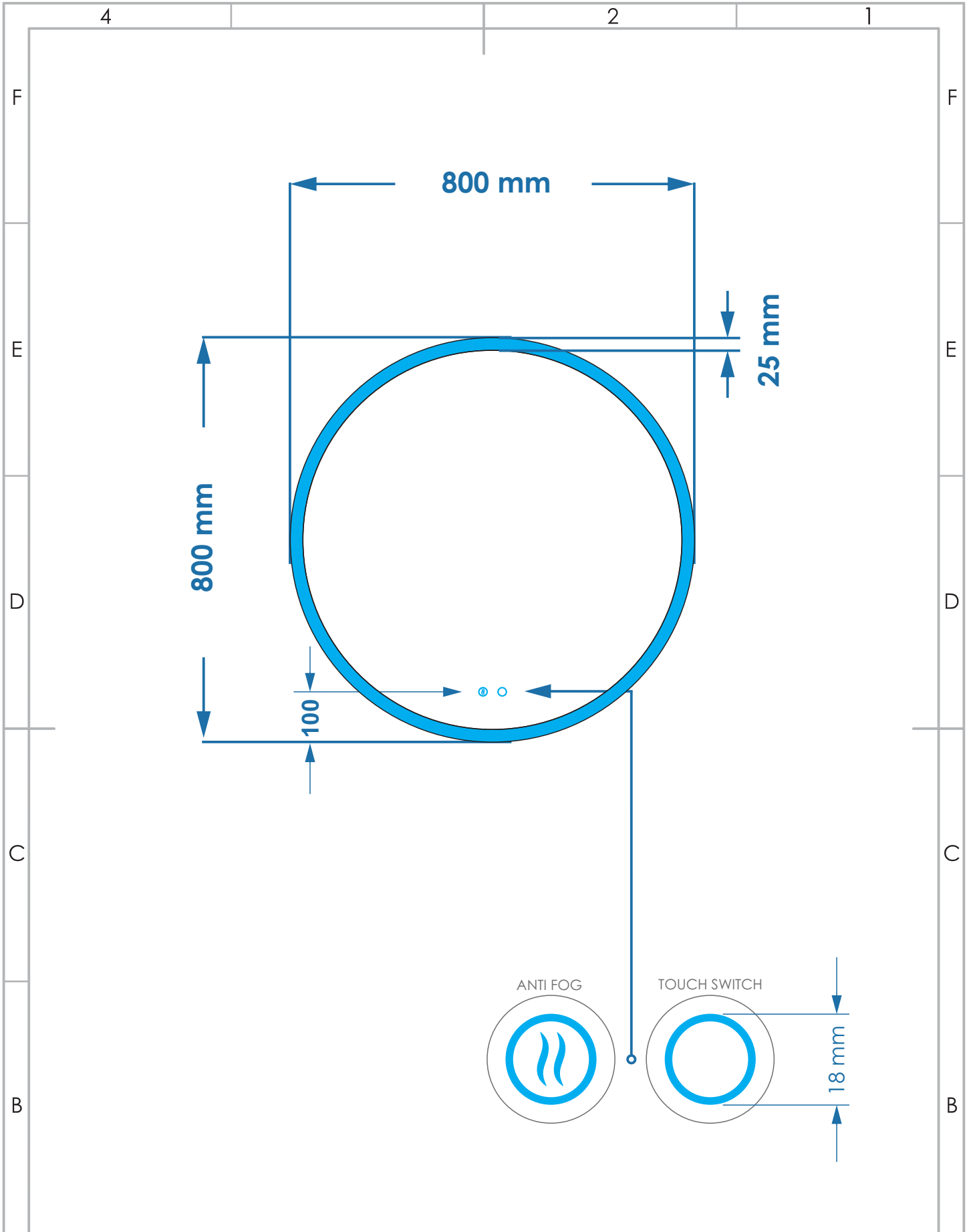
DIMENSIONS ARE IN MILIMETERS (mm)
DO NOT SCALE DRAWING

SIGNATURE/REVISION:

	NAME	SIGNATURE	DATE
DRAWN			
CHK D			
APPV D			
MFG			
A			

PRODUCT:	MIRROR
MATERIAL:	GLASS
THICKNESS:	4mm
EDGING:	C / F edge
SANDBLASTING:	YES <input checked="" type="checkbox"/>
SNESOR/SWICHTH:	TOUCH

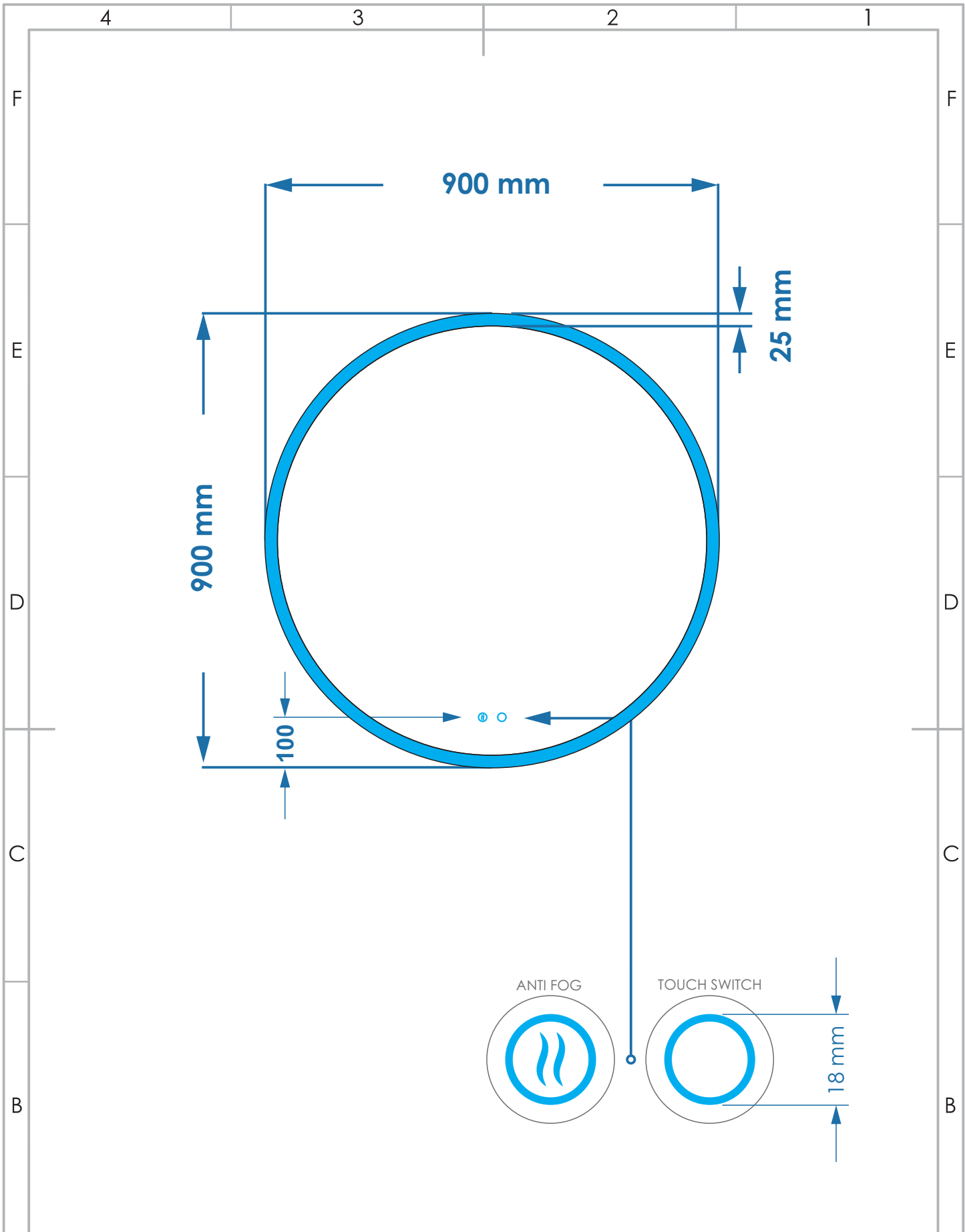
TITLE:	Circum	
DIMESIONS:	700 x 700 mm	A4
SCALE:	1 : 10	SHEET 1 OF 1



DIMENSIONS ARE IN MILIMETERS (mm)
DO NOT SCALE DRAWING

SIGNATURE/REVISION:

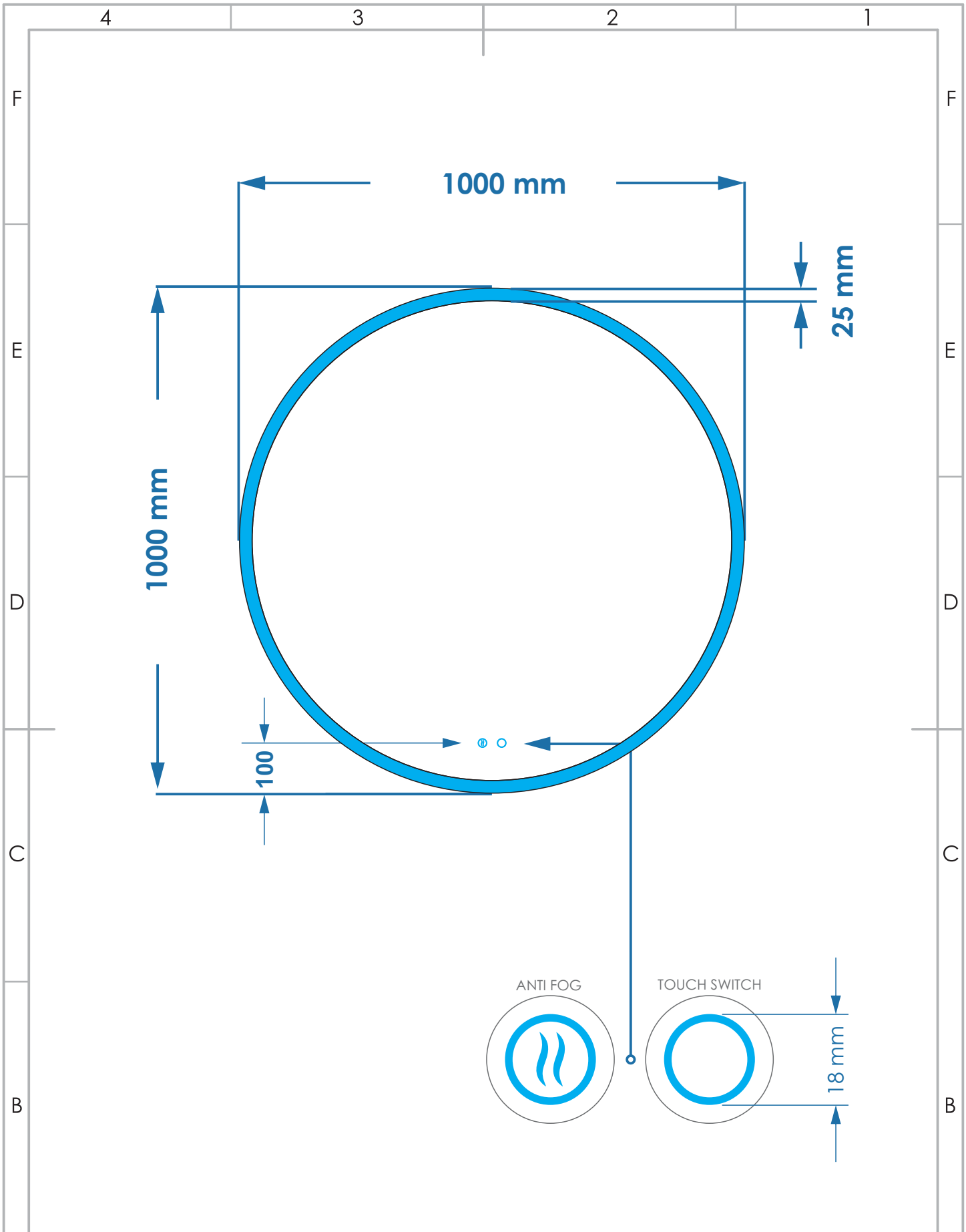
			NAME	SIGNATURE	DATE	PRODUCT:	MIRROR	TITLE:	
A	DRAWN					MATERIAL:	GLASS	Circum	
	CHK D					THICKNESS:	4mm		
	APPV D					EDGING:	C / F edge	DIMENSIONS:	800 x 800 mm
	MFG					SANDBLASTING:	YES <input checked="" type="checkbox"/>		A4
	A					SNESOR/SWICHTH:	TOUCH	SCALE:	1 : 10
							SHEET		1 OF 1



DIMENSIONS ARE IN
MILIMETERS (mm)
DO NOT SCALE DRAWING

SIGNATURE/REVISION:

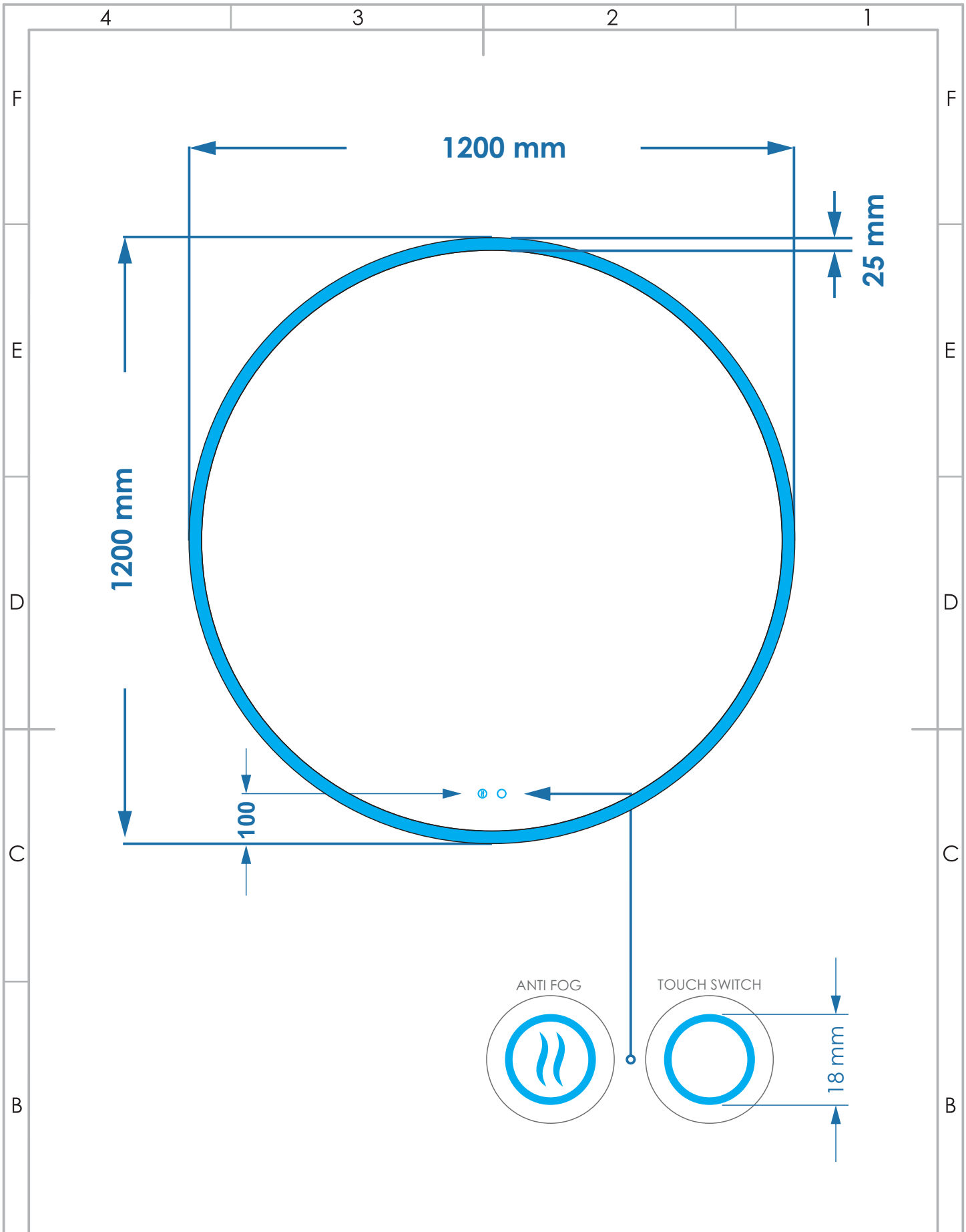
			NAME	SIGNATURE	DATE	PRODUCT:	MIRROR	TITLE:	
A	DRAWN					MATERIAL:	GLASS	Circum	
	CHK D					THICKNESS:	4mm		
	APPV D					EDGING:	C / F edge	DIMENSIONS:	900 x 900 mm
	MFG					SANDBLASTING:	YES <input checked="" type="checkbox"/>		A4
	A					SNESOR/SWICHTH:	TOUCH	SCALE:	1 : 10



DIMENSIONS ARE IN
MILIMETERS (mm)
DO NOT SCALE DRAWING

SIGNATURE/REVISION:

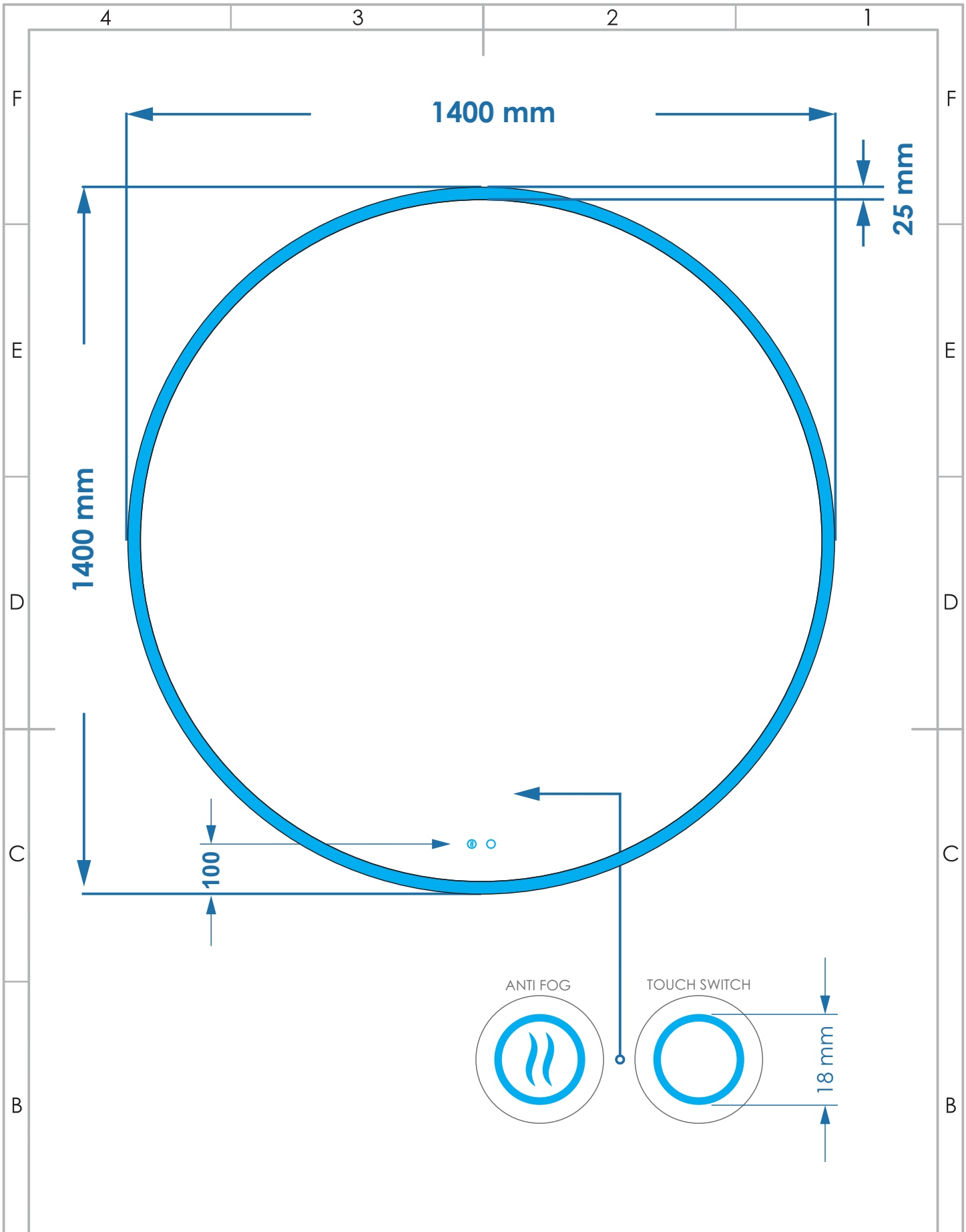
A	NAME	SIGNATURE	DATE	PRODUCT:	MIRROR	TITLE: <h1>Circum</h1>	DIMENSIONS: 1000 x 1000 mm	A4	
	DRAWN			MATERIAL:	GLASS				
	CHK D			THICKNESS:	4mm				
	APPV D			EDGING:	C / F edge	SCALE:	1 : 10	SHEET	1 OF 1
	MFG			SANDBLASTING:	YES <input checked="" type="checkbox"/>	SNESOR/SWICHTH:	TOUCH		
	A								



DIMENSIONS ARE IN
MILIMETERS (mm)
DO NOT SCALE DRAWING

SIGNATURE/REVISION:

NAME		SIGNATURE		DATE		PRODUCT:		MIRROR		TITLE:	
A	DRAWN					PRODUCT:	MIRROR	Circum			
	CHK D					MATERIAL:	GLASS				
	APPV D					THICKNESS:	4mm				
	MFG					EDGING:	C / F edge				
	A					SANDBLASTING:	YES <input checked="" type="checkbox"/>				
						SNESOR/SWICHTH:	TOUCH	DIMESIONS:		1200 x 1200 mm	A4
						SCALE:	1 : 10	SHEET		1 OF 1	



DIMENSIONS ARE IN
MILIMETERS (mm)
DO NOT SCALE DRAWING

SIGNATURE/REVISION:

A	NAME	SIGNATURE	DATE	PRODUCT:	MIRROR	TITLE: Circum
	DRAWN			MATERIAL:	GLASS	
	CHK D			THICKNESS:	4mm	
	APPV D			EDGING:	C / F edge	DIMENSIONS: 1400 x 1400 mm
	MFG			SANDBLASTING:	YES <input checked="" type="checkbox"/>	
A				SNESOR/SWICTH:	TOUCH	SCALE: 1 : 10

SHEET 1 OF 1