

4

2

1

F

F

E

E

D

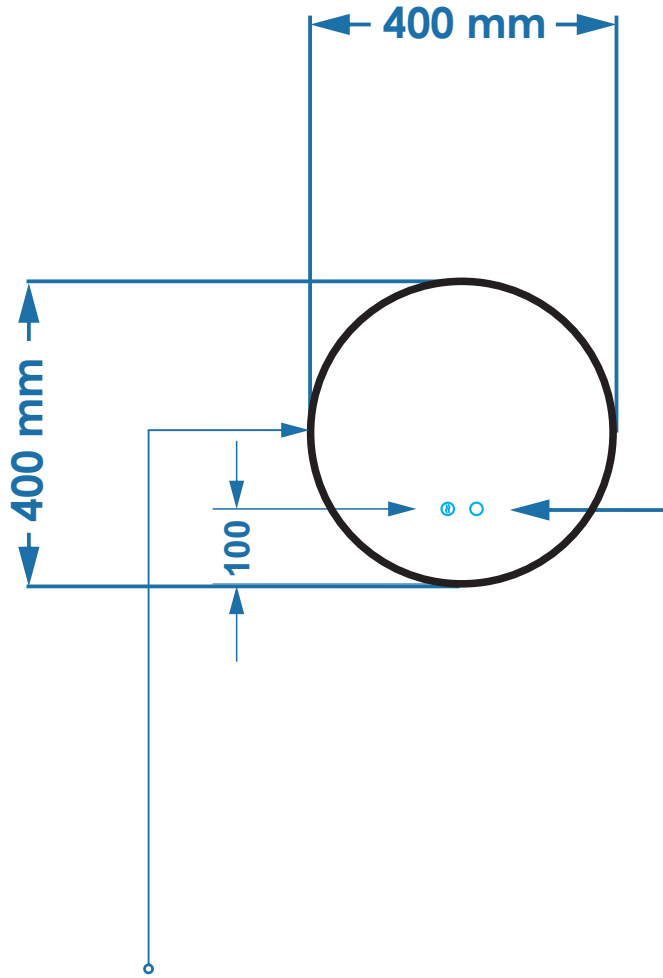
D

C

C

B

B



FRAME COLOR

BLACK

WHITE

GOLD

ROSE GOLD

METAL FRAME
SIDE VIEW 30 mm

ANTI FOG

TOUCH SWITCH

18 mm

DIMENSIONS ARE IN
MILIMETERS (mm)
DO NOT SCALE DRAWING

SIGNATURE/REVISION:

	NAME	SIGNATURE	DATE
DRAWN			
CHK D			
APPV D			
MFG			
A			

PRODUCT:	MIRROR
MATERIAL:	GLASS
THICKNESS:	4mm
EDGING:	C / F edge
SANDBLASTING:	YES <input checked="" type="checkbox"/>
SNESOR/SWICHTH:	TOUCH

TITLE:	<h1>Athena</h1>	
DIMESIONS:	400 x 400 mm	A4
SCALE:	1 : 10	SHEET 1 OF 1

4

2

1

A

A

4

2

1

F

F

E

E

D

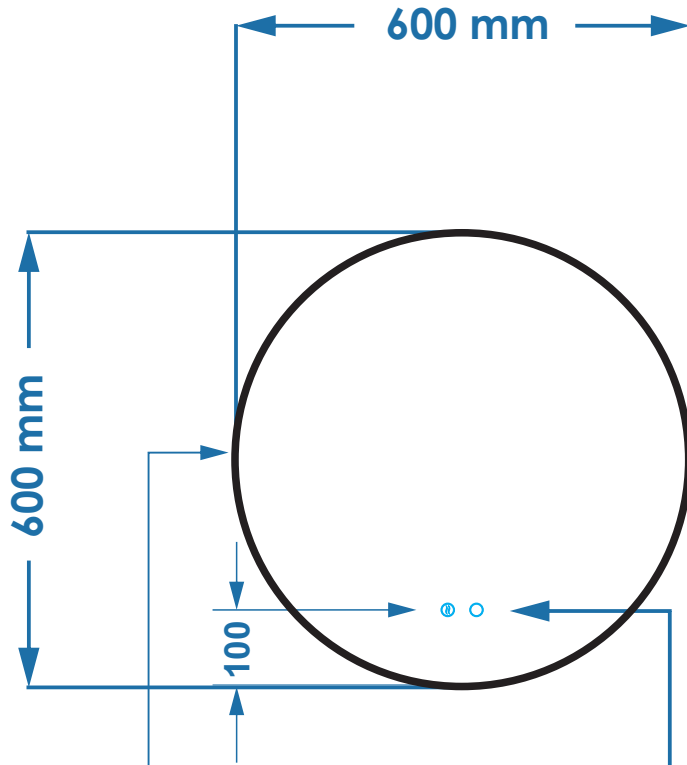
D

C

C

B

B



FRAME COLOR

 BLACK

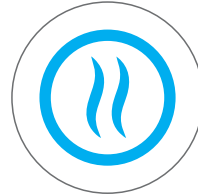
 WHITE

 GOLD

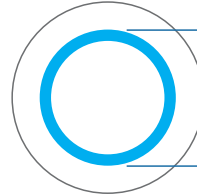
 ROSE GOLD

METAL FRAME
SIDE VIEW 30 mm

ANTI FOG



TOUCH SWITCH



18 mm

DIMENSIONS ARE IN
MILIMETERS (mm)
DO NOT SCALE DRAWING

SIGNATURE/REVISION:

	NAME	SIGNATURE	DATE
DRAWN			
CHK D			
APPV D			
MFG			
A			

PRODUCT:	MIRROR
MATERIAL:	GLASS
THICKNESS:	4mm
EDGING:	C / F edge
SANDBLASTING:	YES <input checked="" type="checkbox"/>
SNESOR/SWICHTH:	TOUCH

TITLE:	<h1>Athena</h1>	
DIMESIONS:	600 x 600 mm	A4
SCALE:	1 : 10	SHEET 1 OF 1

4

2

1

A

A

4

2

1

F

F

E

E

D

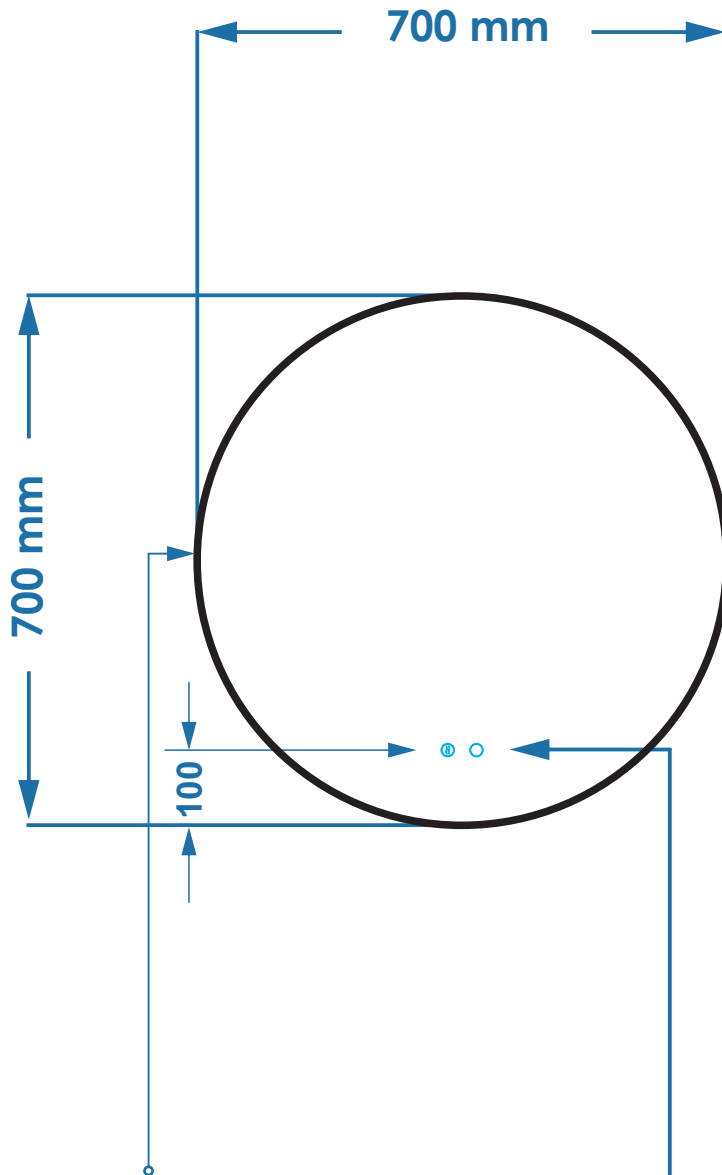
D

C

C

B

B



FRAME COLOR

 BLACK

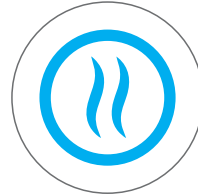
 WHITE

 GOLD

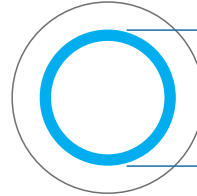
 ROSE GOLD

METAL FRAME
SIDE VIEW 30 mm

ANTI FOG



TOUCH SWITCH



18 mm

DIMENSIONS ARE IN
MILIMETERS (mm)
DO NOT SCALE DRAWING

SIGNATURE/REVISION:

	NAME	SIGNATURE	DATE	PRODUCT:	MIRROR
DRAWN				MATERIAL:	GLASS
CHK D				THICKNESS:	4mm
APPV D				EDGING:	C / F edge
MFG				SANDBLASTING:	YES <input checked="" type="checkbox"/>
A				SNESOR/SWICHTH:	TOUCH

TITLE:

Athena

DIMENSIONS:

700 x 700 mm

A4

SCALE: 1 : 10

SHEET 1 OF 1

4

2

1

A

A

4

2

1

F

F

E

E

D

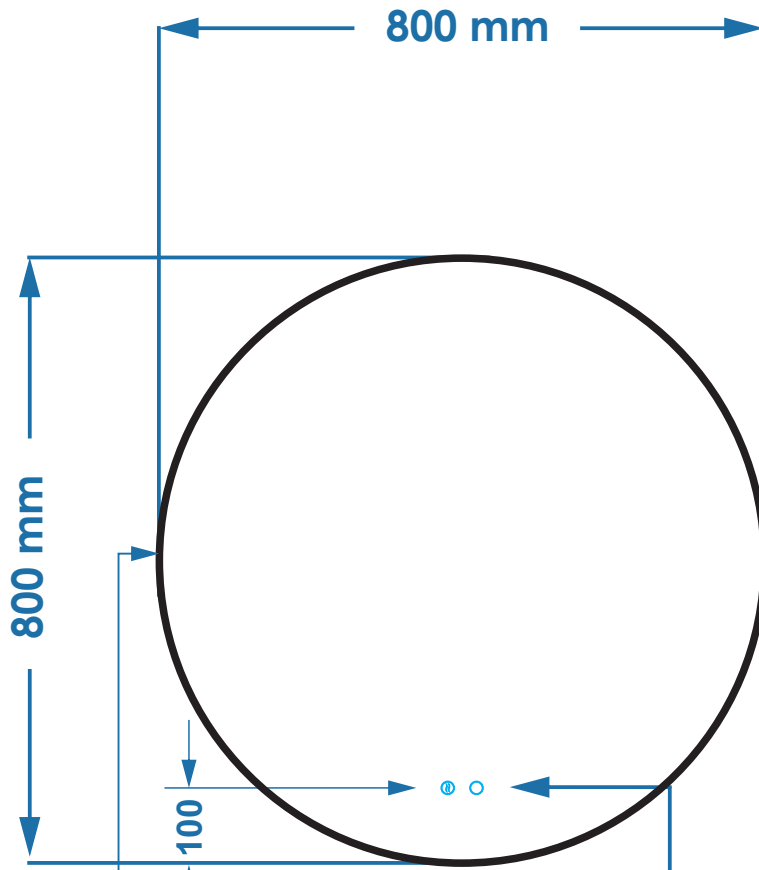
D

C

C

B

B



FRAME COLOR

BLACK

WHITE

GOLD

ROSE GOLD

METAL FRAME
SIDE VIEW 30 mm

ANTI FOG

TOUCH SWITCH

18 mm

DIMENSIONS ARE IN
MILIMETERS (mm)
DO NOT SCALE DRAWING

SIGNATURE/REVISION:

	NAME	SIGNATURE	DATE
DRAWN			
CHK D			
APPV D			
MFG			
A			

PRODUCT:	MIRROR
MATERIAL:	GLASS
THICKNESS:	4mm
EDGING:	C / F edge
SANDBLASTING:	YES <input checked="" type="checkbox"/>
SNESOR/SWICHTH:	TOUCH

TITLE:	<h1>Athena</h1>	
DIMENSIONS:	800 x 800 mm	A4
SCALE:	1 : 10	SHEET 1 OF 1

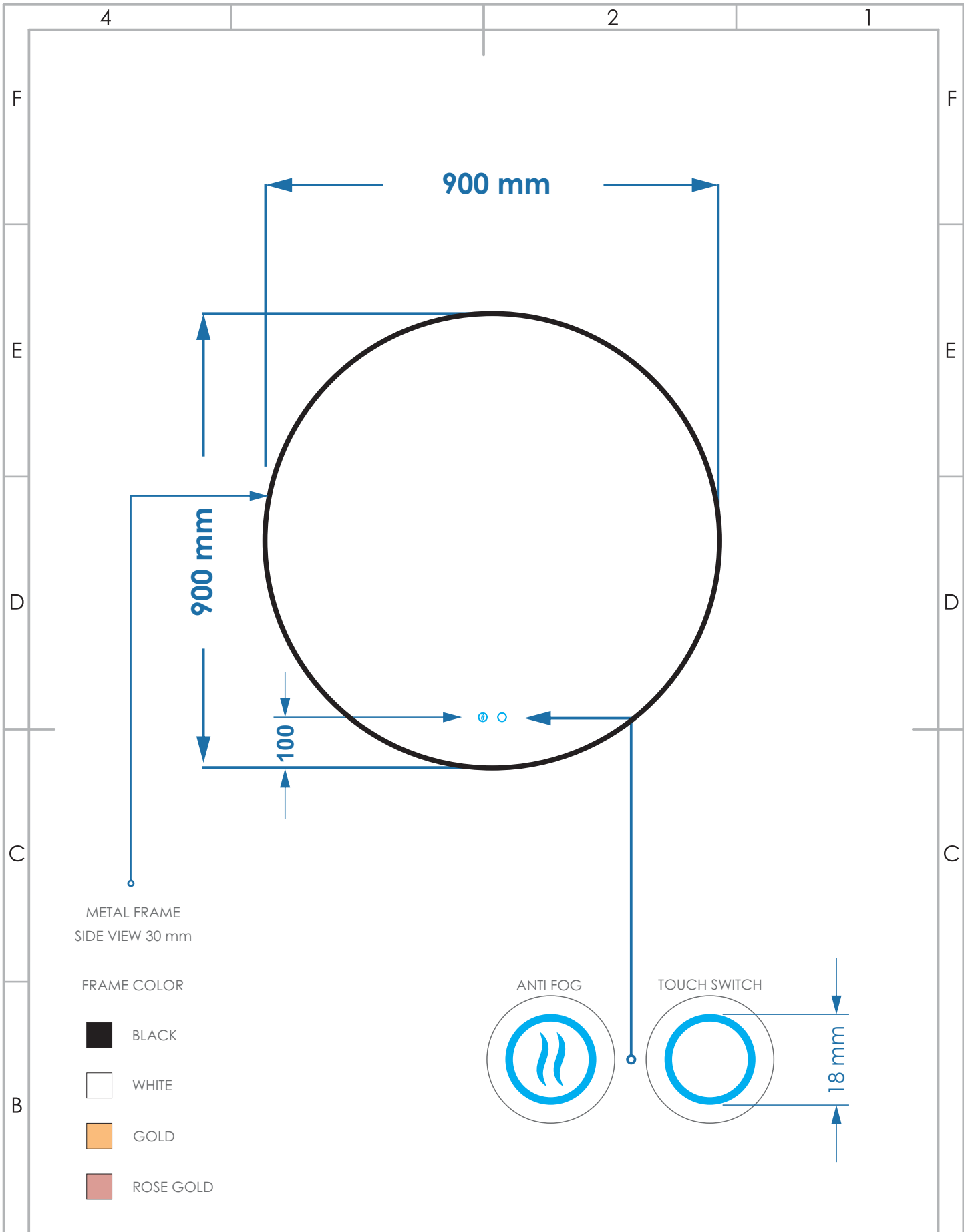
4

2

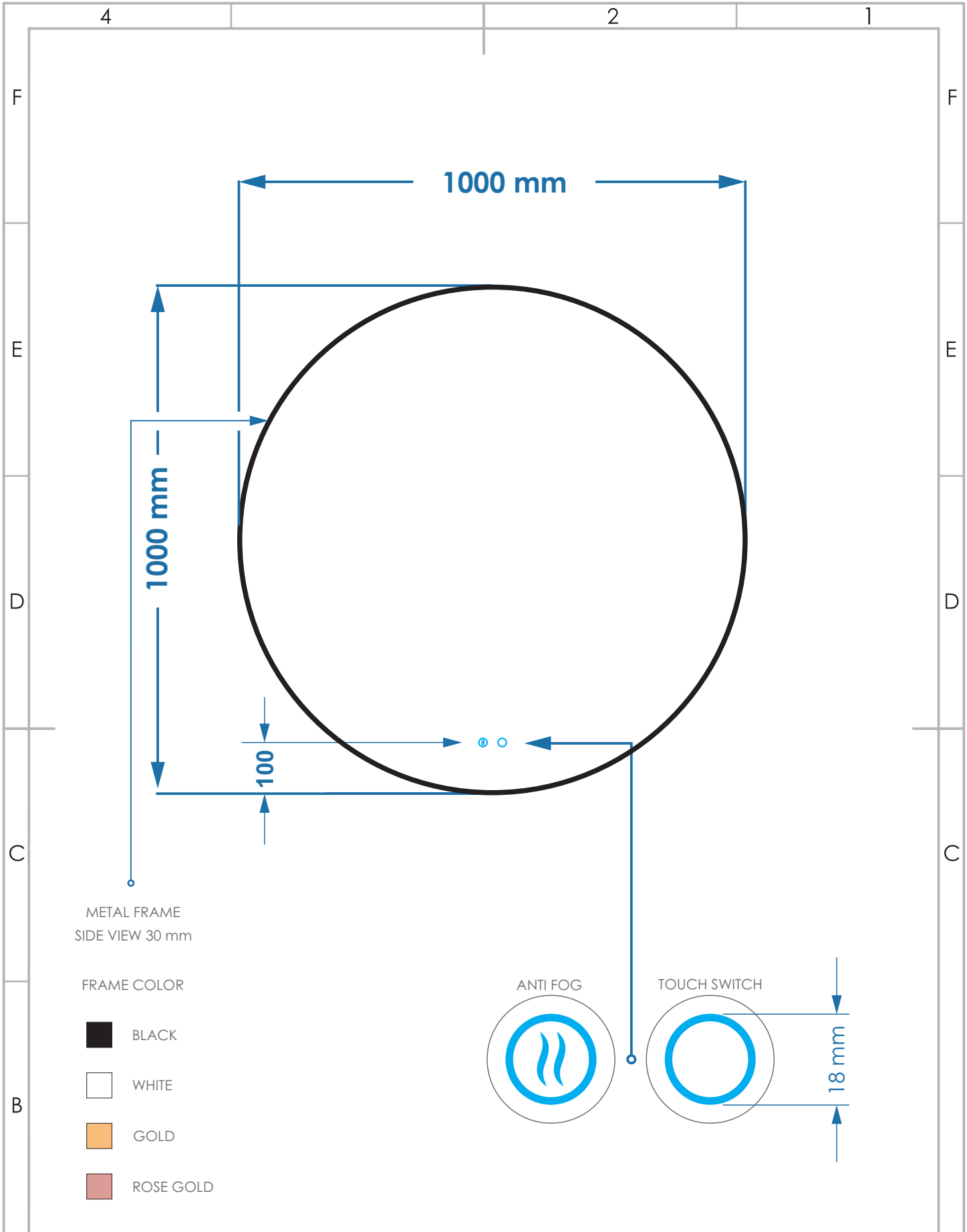
1

A

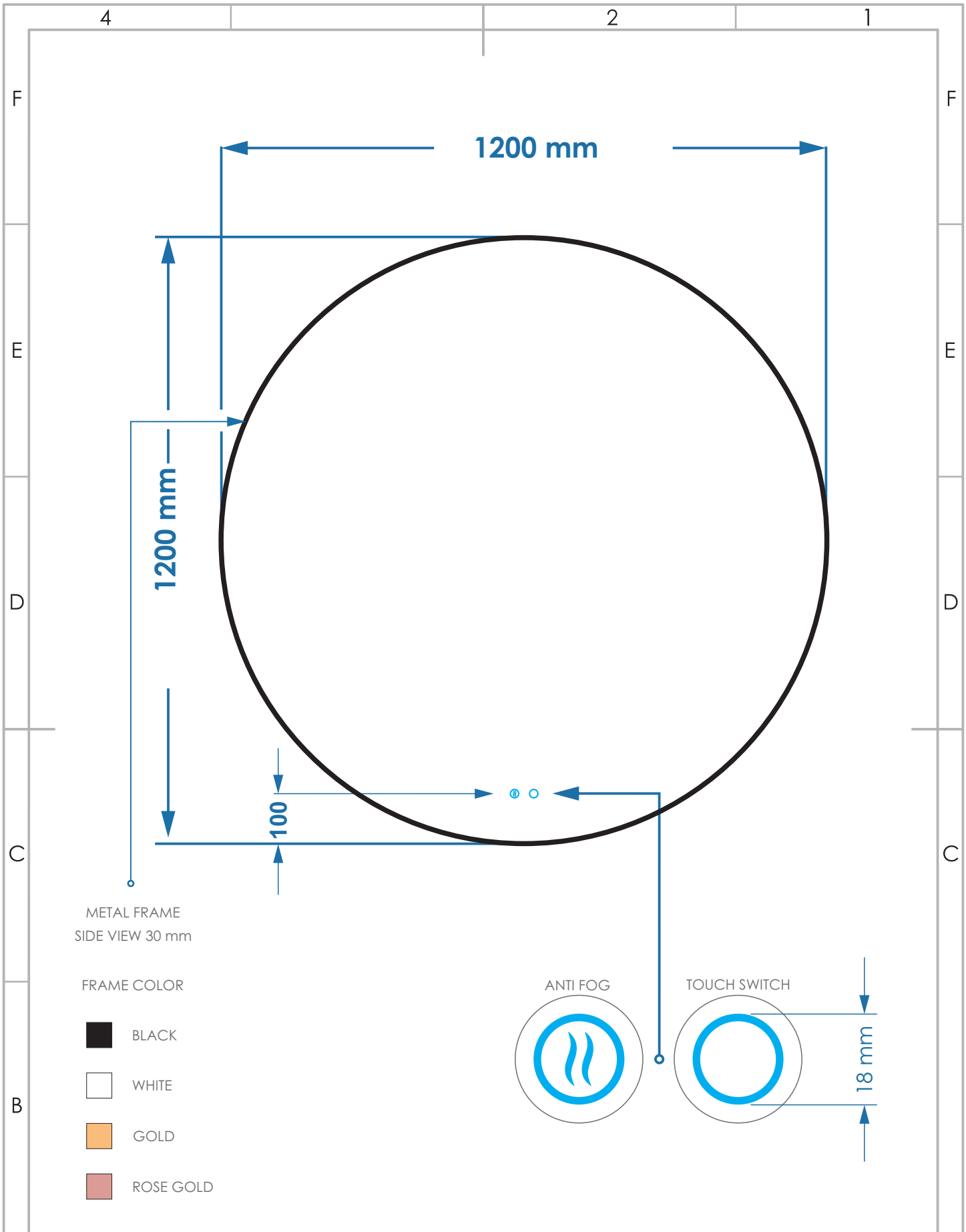
A



				DIMENSIONS ARE IN MILIMETERS (mm) DO NOT SCALE DRAWING		SIGNATURE/REVISION:	
A	NAME	SIGNATURE	DATE	PRODUCT:	MIRROR	TITLE: <h1 style="margin: 0;">Athena</h1>	
	DRAWN			MATERIAL:	GLASS		
	CHK D			THICKNESS:	4mm		
	APPV D			EDGING:	C / F edge	DIMENSIONS: <h2 style="margin: 0;">900 x 900 mm</h2>	
	MFG			SANDBLASTING:	YES <input checked="" type="checkbox"/>		
A				SNESOR/SWICHTH:	TOUCH	SCALE: 1 : 10	SHEET 1 OF 1



				DIMENSIONS ARE IN MILIMETERS (mm) DO NOT SCALE DRAWING		SIGNATURE/REVISION:		
A	NAME	SIGNATURE	DATE	PRODUCT:	MIRROR	<h1>Athena</h1>		
	DRAWN			MATERIAL:	GLASS			
	CHK D			THICKNESS:	4mm			
	APPV D			EDGING:	C / F edge	DIMENSIONS:	1000 x 1000 mm	A4
	MFG			SANDBLASTING:	YES <input checked="" type="checkbox"/>	SCALE:	1 : 10	SHEET 1 OF 1
A			SNESOR/SWICHTH:	TOUCH				



				DIMENSIONS ARE IN MILIMETERS (mm) DO NOT SCALE DRAWING		SIGNATURE/REVISION:	
A	DRAWN	SIGNATURE	DATE	PRODUCT:	MIRROR	TITLE: <h1 style="margin: 0;">Athena</h1>	
	CHK D			MATERIAL:	GLASS		
	APPV D			THICKNESS:	4mm		
	MFG			EDGING:	C / F edge	DIMENSIONS: <h2 style="margin: 0;">1200 x 1200 mm</h2>	
				SANDBLASTING:	YES <input checked="" type="checkbox"/>		
A				SNESOR/SWICHTH:	TOUCH	SCALE: 1 : 10	SHEET 1 OF 1